

# **PARTS LIST**

# ***TMEX-C1501***

# Table of Contents

● TMEX-C GENERAL VIEW	
● TMEX-C FRAME .....	ECL-1
● TMEX-C(UL) FRAME .....	ECL-1
● TMEX-C STAND (OPTION).....	ECL-2
● TMEX-C MAIN SHAFT DRIVE SYSTEM .....	ECL-3
● TMEX-C(UL) MAIN SHAFT DRIVE SYSTEM .....	ECL-3
● TMEX-C BED 1.....	ECL-4-1
● TMEX-C BED 2.....	ECL-4-2
● TMEX-C ARM 1 .....	ECL-5-1
● TMEX-C ARM 2 .....	ECL-5-2
● TMEX-C ARM 3.....	ECL-5-3
● TMEX-C COLOR CHANGE SYSTEM.....	ECL-6
● TMEX-C NEEDLE BAR CASE 1 .....	ECL-7-1
● TMEX-C NEEDLE BAR CASE 2 .....	ECL-7-2
● TMEX-C X-AXIS DRIVE SYSTEM .....	ECL-8
● TMEX-C Y-AXIS DRIVE SYSTEM .....	ECL-9
● TMEX-C INDIVIDUAL TENSION BASE A.....	ECL-10a
● TMEX-C INDIVIDUAL TENSION BASE B (15-NEEDLE).....	ECL-10b
● TMEX-C THREAD STAND.....	ECL-11
● TMEX-C BORDER FRAME (OPTION) .....	ECL-12
● TMEX-C ELECTRIC PARTS.....	ECL-13
● TMEX-C(UL) ELECTRIC PARTS.....	ECL-13

Part Nos. of screws, nuts, washers etc. are listed at the end of volume.

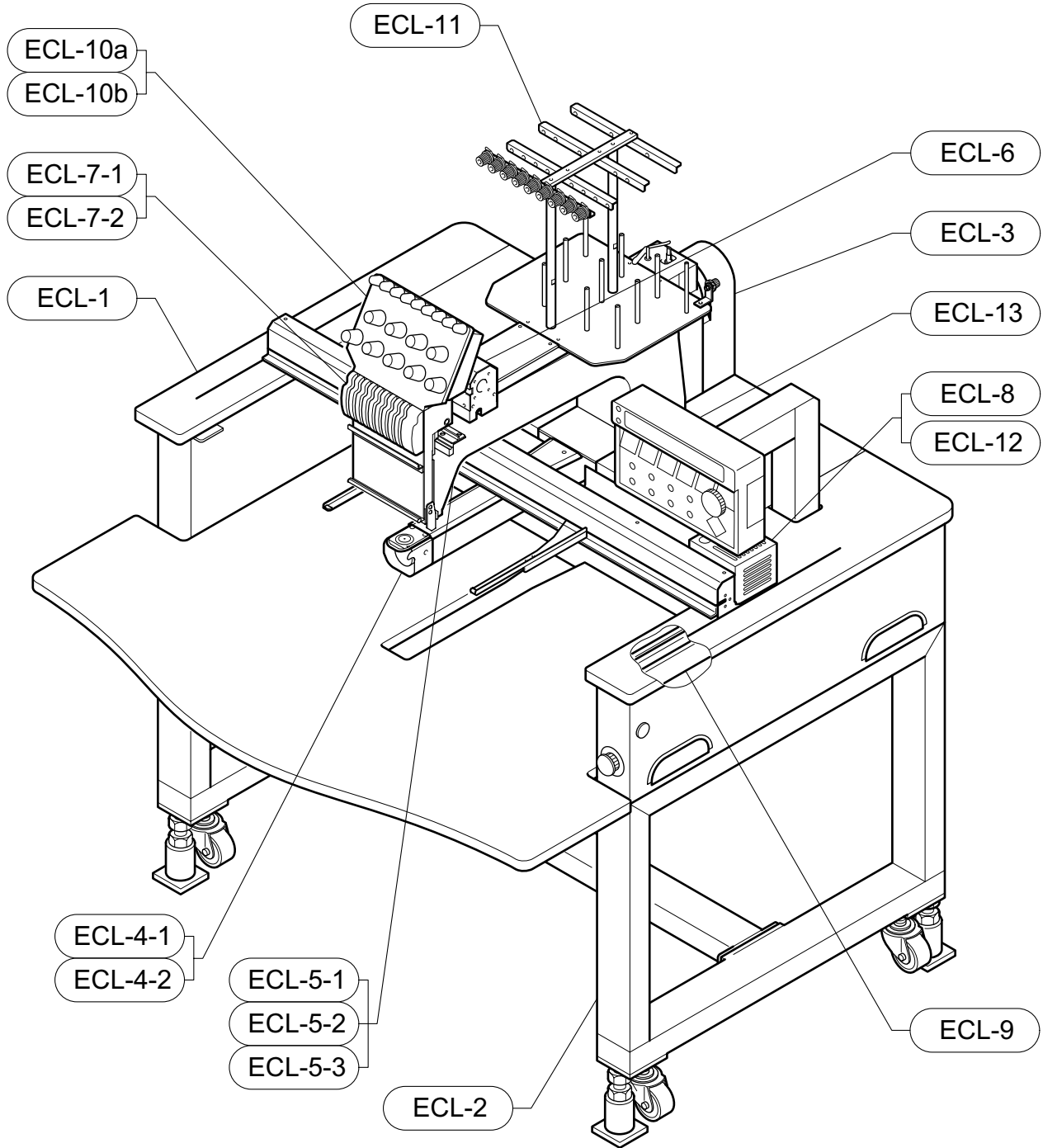
## [Explanation of Marks #'s and \*'s at End of Part No]

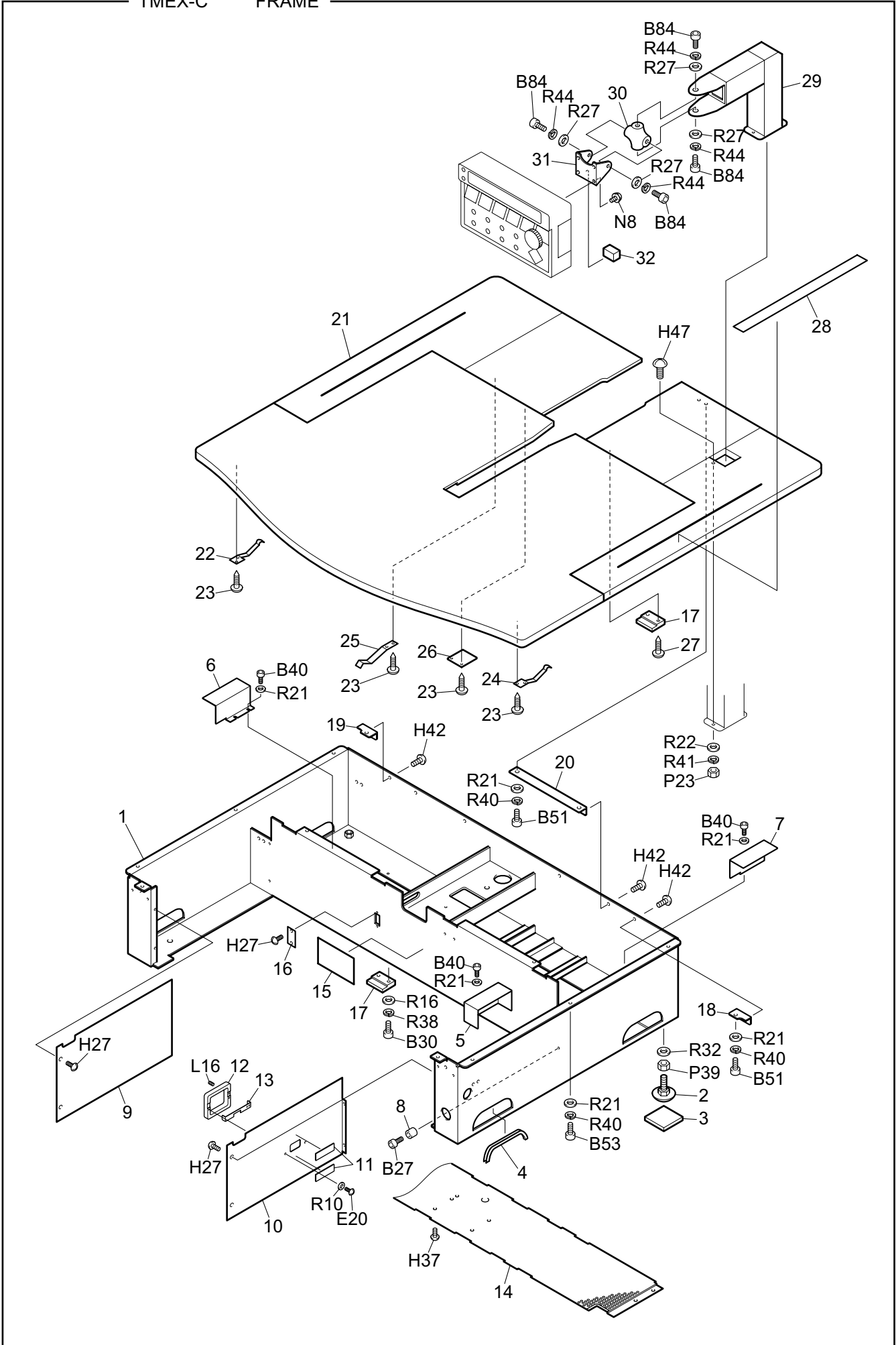
- ◆ Please specify, in the following manner, your machine model, manufacturing number and embroidery space when you order us with the parts having \*\*\*\* at the end of the part No.:

<b>Ex.</b>	TMFD-612	(450×275)S	No.01234
	[Model]	[Emb. Space]	[Mfg. No.]

- ◆ Please specify the number of needles on your machine's head in your parts order by changing the marks ##### into one of the 4-digit numbers below:

<b>Ex.</b>	The part Number, EF012345#####	
	4-digit Numbers	Machine Type
	0300.....	3-needle machine
	0600.....	6-needle machine
	0900.....	9-needle machine
	1200.....	12-needle machine
	1500.....	15-needle machine





# TMEX-C FRAME

**ECL-1**

Ref.No.	Description	Part No.	Remark
1	Stand	EC0F33000000	
2	Level Adjuster	EC0812000000	
3	Vibration-preventive Rubber	EC0826000000	
4	Regular Trim	BP75X32W1270	
5	Front Grip Cover	EC0F28000000	
6	Rear Grip Cover L	EC0F29L00000	
7	Rear Grip Cover R	EC0F29R00000	
8	Cushion	AT0404000000	
9	Side Cover L	EC0F32L00000	
10	Side Cover R	EC0F32R10000	
11	Seal	V76400000000	
12	Switch Guard	CX08J1510000	
13	Breaker Lock	CX08J1800000	
14	Stand Bottom Cover	EC0F24010000	
15	TAJIMA Brand Name Plate	EC0F13000000	
16	Clear Plate B	EC0F17000000	
17	Table Stopper	CX0848020000	
18	Table Bracket L	EC0F35L00000	
19	Table Bracket R	EC0F35R00000	
20	Table Bracket B	EC0817010000	
21	Table	EC0F02000000	
22	Front Table Spring L	EC0831L00000	
23	Wood Screw	ZZ410416CC00	4.5P*16
24	Front Table Spring R	EC0831R00000	
25	Table Fixing Spring	EC0808000000	
26	Aligning Plate	EC0806010000	
27	Wood Screw	ZZ410420CC00	4.5P*20
28	Traverse Scale	CX07A3000000	
29	Controller Pipe	EC0F05000000	
30	Cross Joint	EC0833000000	
31	Operation Panel Attaching Arm	EC0834000000	
32	Cushion Rubber	EC0829000000	
33			
34			
35			
36			
37			
38			
39			
40			
41			
42			
43			
44			
45			
46			
47			
48			
49			
50			

Note: As for parts with marks # or \*, please follow our instructions on Table of Contents in your parts order.

(CG02)



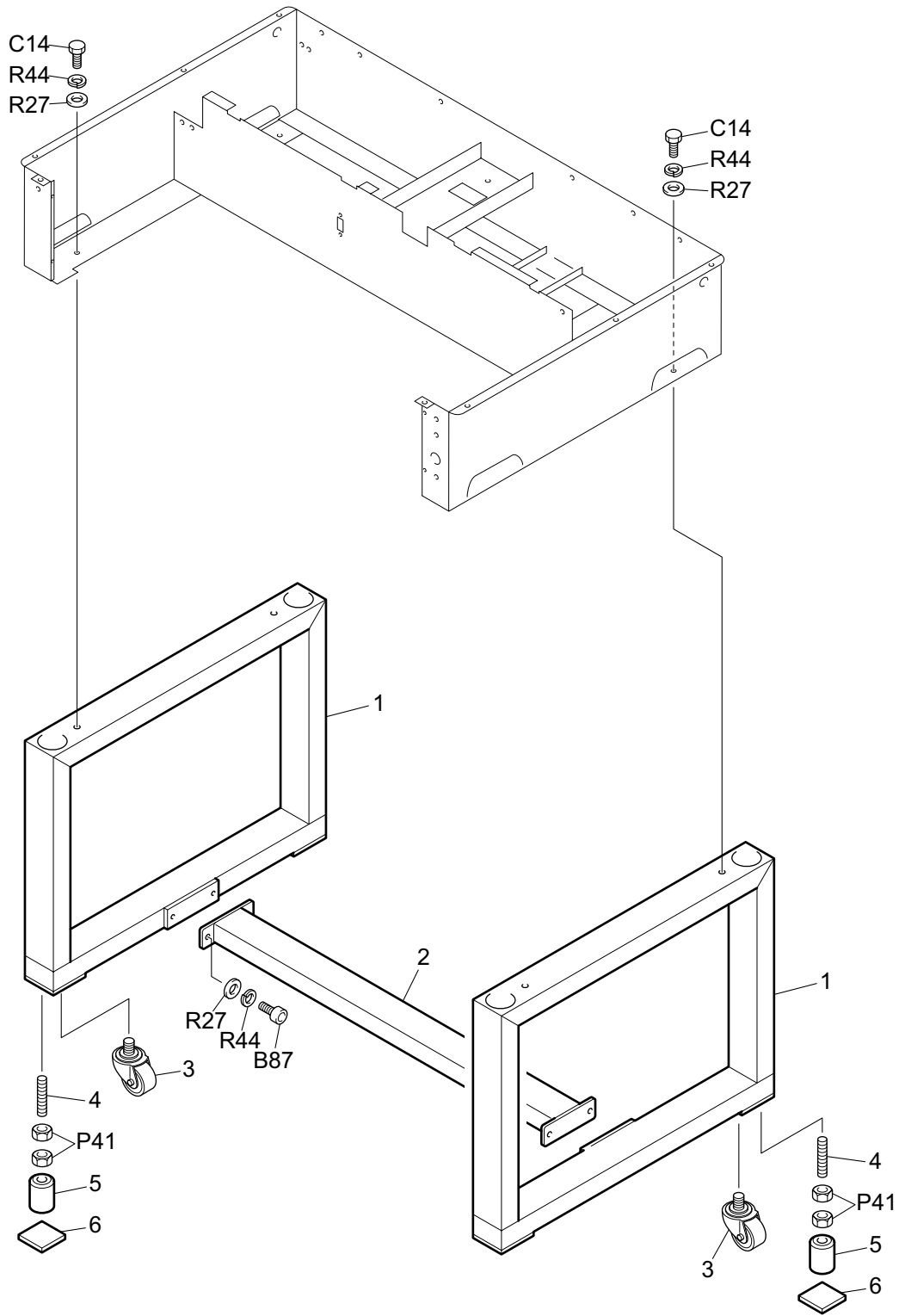
# TMEX-C(UL) FRAME

**ECL-1**

Ref.No.	Description	Part No.	Remark
1	Stand	EC0U25000000	
2	Level Adjuster	EC0812000000	
3	Vibration-preventive Rubber	EC0826000000	
4	Regular Trim	BP75X32W1270	
5	Front Grip Cover	EC0F28000000	
6	Rear Grip Cover L	EC0F29L00000	
7	Rear Grip Cover R	EC0F29R00000	
8	Cushion	AT0404000000	
9	Side Cover L	EC0F32L00000	
10	Side Cover R	EC0F32R00000	
11	Seal	V76400000000	
12	Switch Guard	CX08J1510000	
13	Breaker Lock	CX08J1800000	
14	Stand Bottom Cover	EC0U24000000	
15	TAJIMA Brand Name Plate	EC0F13000000	
16	Clear Plate B	EC0F17000000	
17	Table Stopper	CX0848020000	
18	Table Bracket L	EC0F35L00000	
19	Table Bracket R	EC0F35R00000	
20	Table Bracket B	EC0817010000	
21	Table	EC0F02000000	
22	Front Table Spring L	EC0831L00000	
23	Wood Screw	ZZ410416CC00	4.5P*16
24	Front Table Spring R	EC0831R00000	
25	Table Fixing Spring	EC0808000000	
26	Aligning Plate	EC0806010000	
27	Wood Screw	ZZ410420CC00	4.5P*20
28	Traverse Scale	CX07A3000000	
29	Controller Pipe	EC0F05000000	
30	Cross Joint	EC0833000000	
31	Operation Panel Attaching Arm	EC0834000000	
32	Cushion Rubber	EC0829000000	
33			
34			
35			
36			
37			
38			
39			
40			
41			
42			
43			
44			
45			
46			
47			
48			
49			
50			

Note: As for parts with marks # or \*, please follow our instructions on Table of Contents in your parts order.

(CG02)



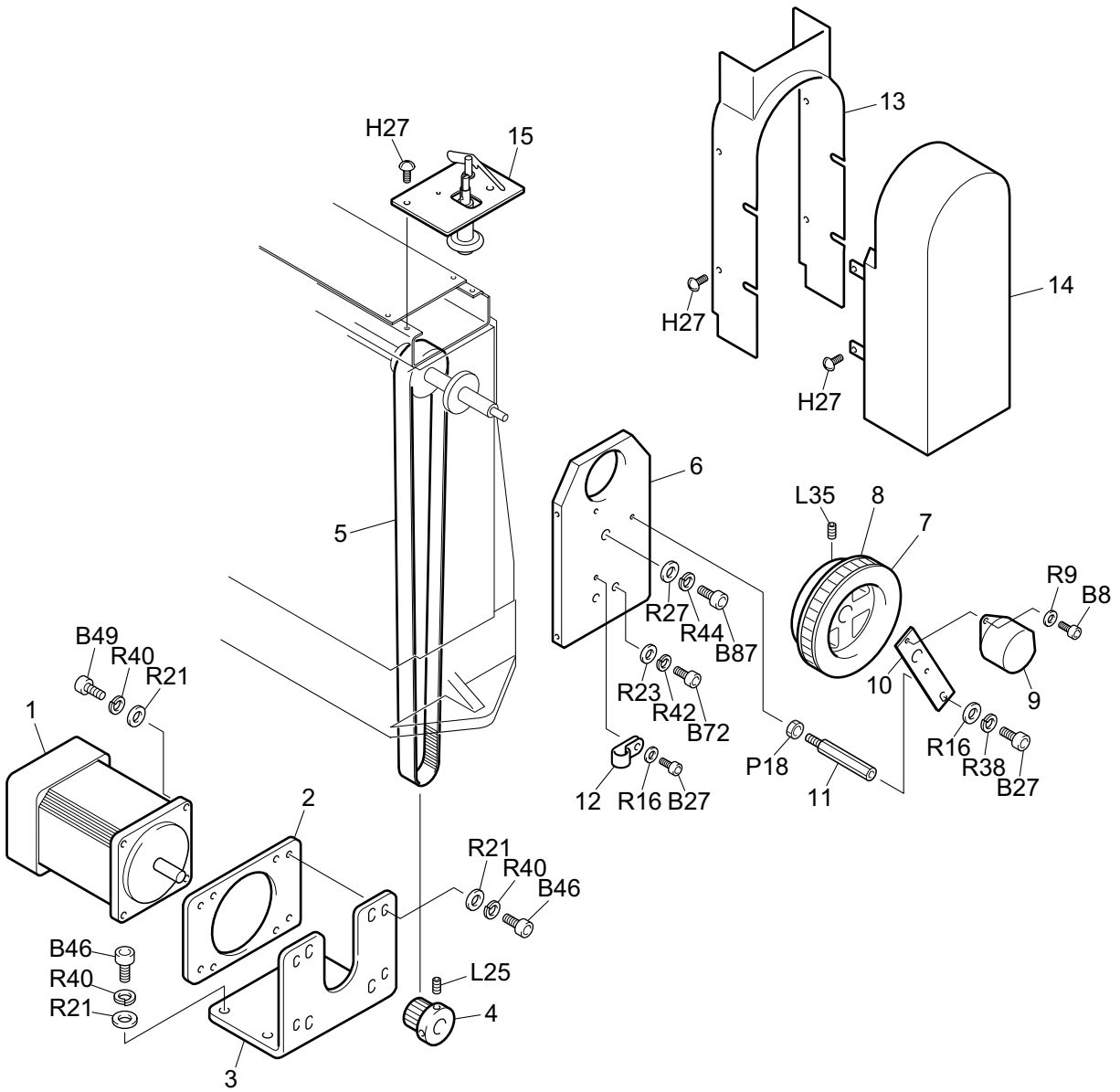
# TMEX-C STAND (OPTION)

**ECL-2**

Ref.No.	Description	Part No.	Remark
1	Side Stand Base	EC0F03010000	
2	Middle Stand Base	EC0819020000	
3	Caster	BP420SAR65MM	
4	Stud Bolt	CX08E3000000	
5	Leveling Block	CX08E7000000	
6	Vibration-preventive Rubber	EC0826000000	
7			
8			
9			
10			
11			
12			
13			
14			
15			
16			
17			
18			
19			
20			
21			
22			
23			
24			
25			
26			
27			
28			
29			
30			
31			
32			
33			
34			
35			
36			
37			
38			
39			
40			
41			
42			
43			
44			
45			
46			
47			
48			
49			
50			

Note: As for parts with marks # or \*, please follow our instructions on Table of Contents in your parts order.

(CG02)



# TMEX-C MAIN SHAFT DRIVE SYSTEM

**ECL-3**

Ref.No.	Description	Part No.	Remark
1	Main Shaft Motor	CX6201010000	
2	Motor Base	EC0E19000000	
3	Motor Bracket	EC0E04010000	
4	Motor Pulley	EC0E09010000	
5	Timing Belt	BP150S5M830G	
6	Cover Base	EC0D32000000	
7	Hand Puley	EC0A57000000	
8	Angle Indicator Plate	EC0A39020000	
9	Rotary Encoder	EF6600A00000	
10	Encoder Bracket	EC0A44010000	
11	Encoder Stud	EC0A58000000	
12	Nylon Clamp	PB001200EB00	
13	Rear Cover A	EC0D02A10000	
14	Rear Cover B	EC0D02B10000	
15	Under Thread Winder Base Set	EC0D0400S000	
16			
17			
18			
19			
20			
21			
22			
23			
24			
25			
26			
27			
28			
29			
30			
31			
32			
33			
34			
35			
36			
37			
38			
39			
40			
41			
42			
43			
44			
45			
46			
47			
48			
49			
50			

Note: As for parts with marks # or \*, please follow our instructions on Table of Contents in your parts order.

(CG02)



# TMEX-C(UL) MAIN SHAFT DRIVE SYSTEM

ECL-3

Ref.No.	Description	Part No.	Remark
1	Main Shaft Motor	EC6201000000	
2	Motor Base	EC0E19000000	
3	Motor Bracket	EC0E04010000	
4	Motor Pulley	EC0E09010000	
5	Timing Belt	BP150S5M830G	
6	Cover Base	EC0D32000000	
7	Hand Puley	EC0A57000000	
8	Angle Indicator Plate	EC0A39020000	
9	Rotary Encoder	EF6600A00000	
10	Encoder Bracket	EC0A44010000	
11	Encoder Stud	EC0A58000000	
12	Nylon Clamp	PB001200EB00	
13	Rear Cover A	EC0D02A10000	
14	Rear Cover B	EC0D02B10000	
15	Under Thread Winder Base Set	EC0D0400S000	
16			
17			
18			
19			
20			
21			
22			
23			
24			
25			
26			
27			
28			
29			
30			
31			
32			
33			
34			
35			
36			
37			
38			
39			
40			
41			
42			
43			
44			
45			
46			
47			
48			
49			
50			

Note: As for parts with marks # or \*, please follow our instructions on Table of Contents in your parts order.

(CG02)

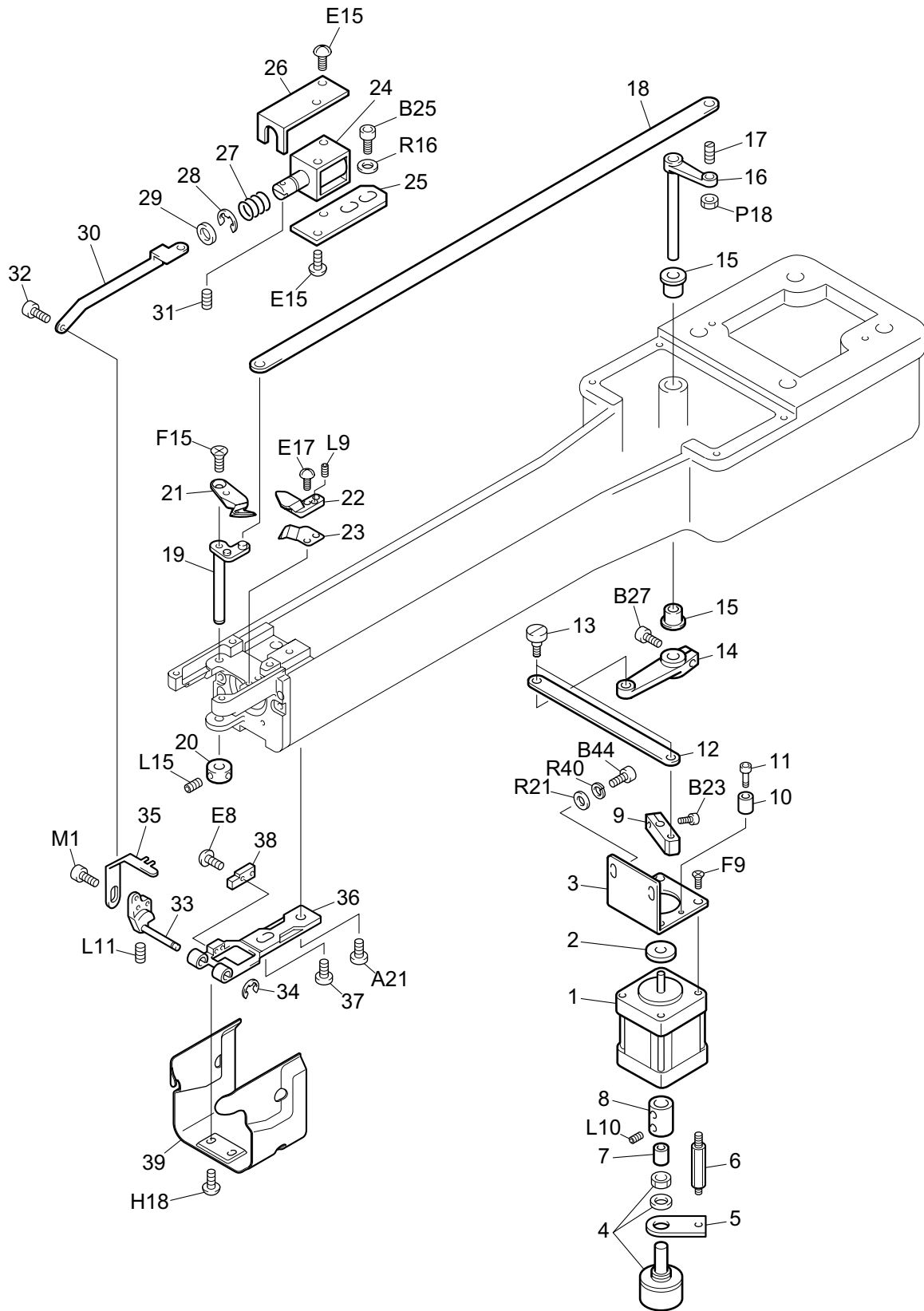


# TMEX-C BED 1

**ECL-4-1**

Ref.No.	Description	Part No.	Remark
1	Arm Bed	EC0C15000000	
2	Arm Bed Spacer	EC0C07010000	
3	0.2mm Thick Spacer	EC0403000000	
3	0.05t Spacer	EC0416000000	
4	Lower Shaft Pulley	EC0C12010000	
5	Bearing Collar A	EC0C11000000	
6	Ball Bearing	BP6201ZZ0000	
7	Lower Shaft	EC0C13000000	
8	Rotary Hook Shaft Bushing B	EF0206B00000	
9	Rotary Hook Shaft Spacer	EF0211000000	
10	7.94mm Dia. Collar	EF0209000000	
11	Needle Plate Bracket	FCC202040000	
12	Spring Pin	BPSP03120000	3P*12
13	Rotary Hook Support	FC0224000000	
14	Rotary Hook	ME0505E2****	
15	Rotary Hook Set Screw	ME0506000000	
16	Bobbin	ME050402****	
17	Bobbin Case	ME050300****	
18	Bed Cover A	EC0C09000000	
19	Bed Cover B	EC0C10010000	
20	Bed Cover Stud A	EC0C02000000	
21	Needle Plate	FC120403****	Border & Tubular Goods Frame
22	Positioning Pin	FC0231000000	
23	Round Countersunk Head Screw	EG0228000000	
24	Needle Plate	EC0C19020000	Cap Frame
25			
26			
27			
28			
29			
30			
31			
32			
33			
34			
35			
36			
37			
38			
39			
40			
41			
42			
43			
44			
45			
46			
47			
48			
49			

Note: As for parts with marks # or \*, please follow our instructions on Table of Contents in your parts order.



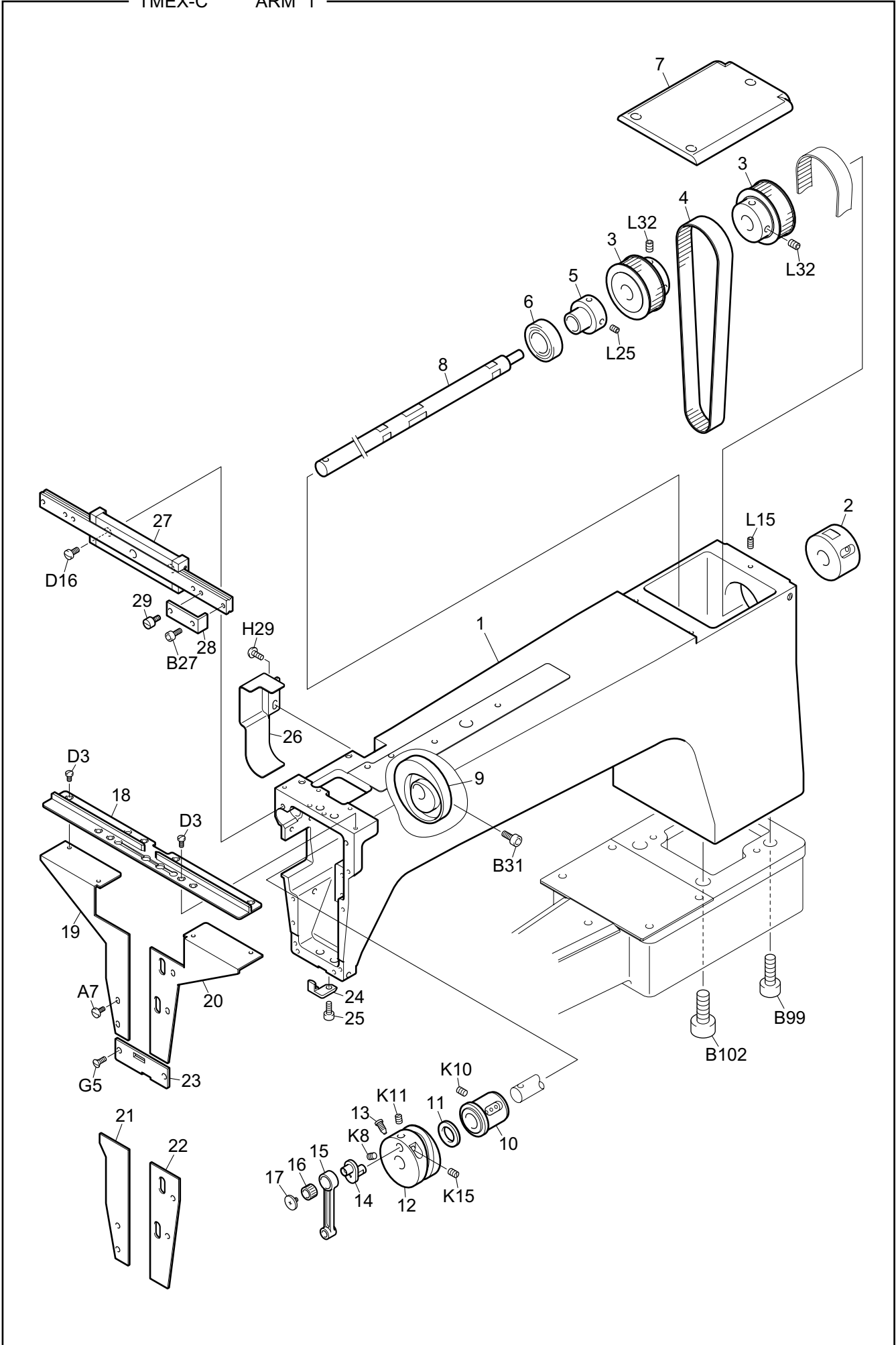
# TMEX-C BED 2

**ECL-4-2**

Ref.No.	Description	Part No.	Remark
1	Pulse (Stepping) Motor	CL0835010000	
2	Motor Spacer	EC0C16000000	
3	ATH Motor Base	EC0C05000000	
4	Potentiometer	CL0842000000	
5	Potentiometer Attaching Plate	EC0C04000000	
6	Potentiometer Stud	EC0C14000000	
7	Joint Split Collar	EC0C17000000	
8	Potentio Joint Collar	EC0C18000000	
9	ATH Drive Lever	EC0C06000000	
10	Cushion	AT0404000000	
11	Cushion Pin	AT0405000000	
12	ATH Connecting Rod	EC0C08000000	
13	Connecting Lever Pin	AT0206000000	
14	Drive Arm	FC0213000000	
15	Oiled Bearing	BPF812121620	
16	Thread Trimming Lever	FC0217000000	
17	Thread Trimming Lever Pin	FC0211000000	
18	Knife Connecting Plate	EC0C01000000	
19	Movable Knife Drive Arm	FC0209020000	
20	5mm Dia. Collar	FC0223000000	
21	Movable Knife	AC0516000000	
22	Fixed Knife	AC0517000000	
23	Under Thread Presser	AC0518000000	
24	Picker Solenoid	AT6806C10000	
25	Picker Solenoid Base	FC0210000000	
26	Solenoid Cover	FC0226000000	
27	Compressed Spring	EG0218000000	
28	E-ring	BPE400000000	
29	Needle Bar O-Ring	EF0621000000	
30	Connecting Plate	FC0233000000	
31	Solenoid Pin	EG0252000000	
32	Connecting Pin	AC0205000000	
33	Picker Base	FC0207010000	
34	E-ring	BPE200000000	
35	Picker	FC0208010000	
36	Picker Bracket	FC0206000000	
37	Flat Fillister Head Screw	AC0208000000	
38	Picker Stopper	AC0212010000	
39	Rotary Hook Base Cover	FC0A07000000	
40			
41			
42			
43			
44			
45			
46			
47			
48			
49			
50			

Note: As for parts with marks # or \*, please follow our instructions on Table of Contents in your parts order.

(CG02)



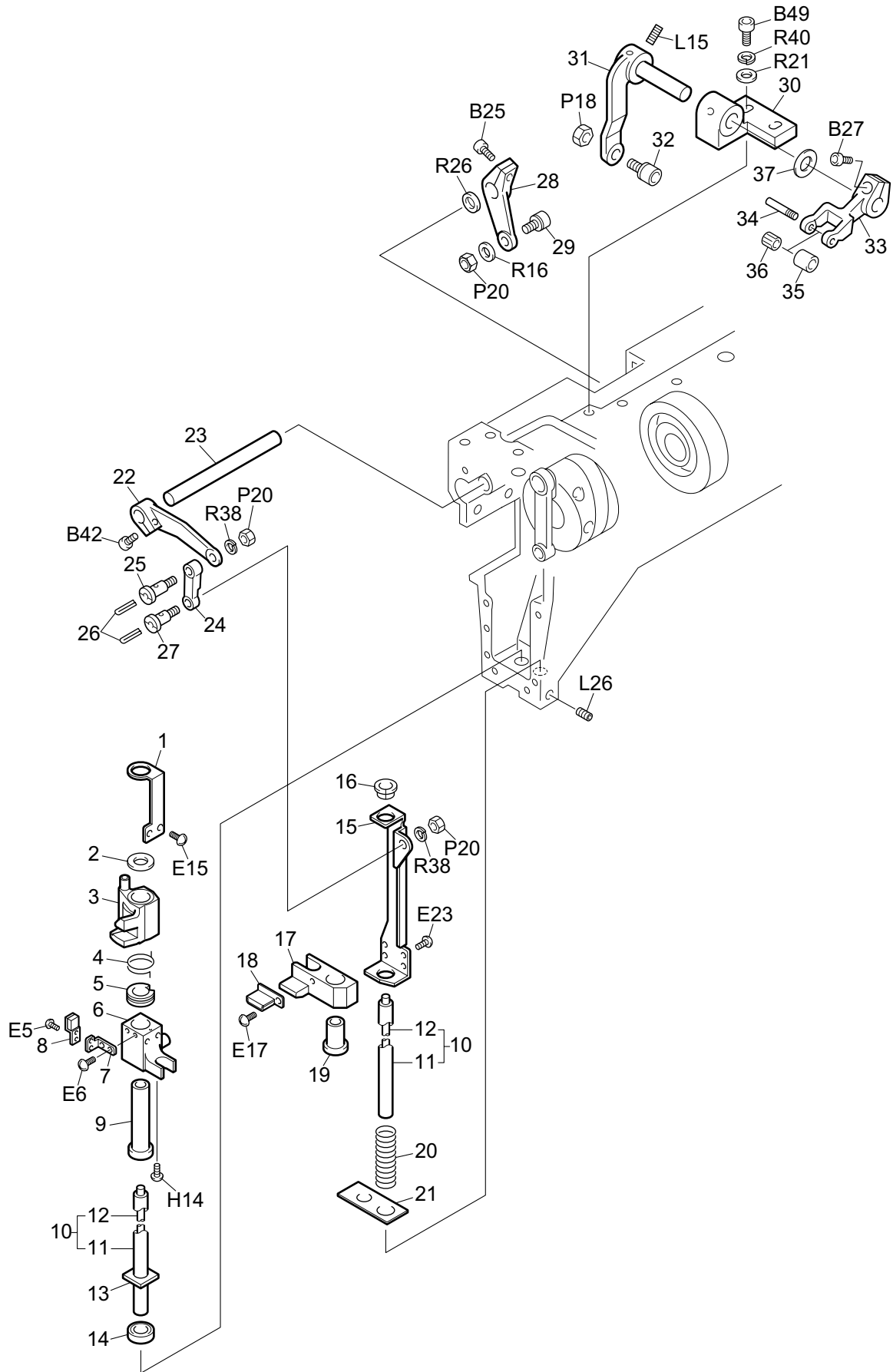
# TMEX-C ARM 1

**ECL-5-1**

Ref.No.	Description	Part No.	Remark
1	Arm	EC0A01000000	
1	Arm	EC0A63000000	15-Needle
2	Upper Shaft Bushing, Rear	EC0A37000000	
3	Upper Shaft Pulley	EC0A40010000	
4	Timing Belt	BP150S5M525G	
5	Bearing Collar B	EC0A45000000	
6	Ball Bearing	BP6004ZZ0000	
7	Top Lid	EC0A28010000	
8	Upper Shaft	EC0A29030000	
9	Presser Foot Drive Cam	EC0A27000000	
10	Upper Shaft Bushing, Front	ME0523000000	
11	Quenched Spacer	ME0525000000	
12	Take-up Lever Drive Cam	EC0A47000000	
13	Cam Set Screw	ME0560000000	
14	90-degree Crank	ME0571000000	
15	Connecting Rod	ME0528020000	
16	Needle Cage	BPN79A048000	
17	Right Countersunk Head Screw	ME0572000000	
18	Take-up Lever Guide Rail	EC0A0400####	9,12-Needle
19	Arm Front Cover L	CD0E19L0####	
20	Arm Front Cover R	EC0A6200####	
21	Arm Front Cover L	EC0A64L00000	15-Needle
22	Arm Front Cover R	EC0A64R00000	15-Needle
23	Arm Guide Plate	EC0A53000000	
24	Positioning Plate	EC0A14000000	
25	Hexagon Socket Head Cap Screw	EG0219000000	
26	Arm Side Cover	EC0A24010000	
27	Case Linear	CD0E1800####	
28	Linear Stopper	EC0A61000000	
29	Pin No.714	CD0E16000000	
30			
31			
32			
33			
34			
35			
36			
37			
38			
39			
40			
41			
42			
43			
44			
45			
46			
47			
48			
49			

Note: As for parts with marks # or \*, please follow our instructions on Table of Contents in your parts order.

(CG02)



# TMEX-C ARM 2

**ECL-5-2**

Ref.No.	Description	Part No.	Remark
1	Bushing Holder	EC0A06000000	
2	Needle Bar Reciprocator Spacer	EF0554000000	
3	Needle Bar Reciprocator	EC0A10000000	
4	Return Spring	EC0A09000000	
5	Spring Cradle	FX0564000000	
6	Reciprocator Slide Block	EC0A08000000	
7	Stopper Base	EC0A07000000	
8	Stopper Base	FX0519000000	
9	Bearing Brass	EC0A05000000	
10	Needle Bar Drive Shaft Set	UN2501102000	
11	Needle Bar Drive Shaft	FX0522030000	
12	Needle Bar Drive Shaft Wick	EG0536000000	
13	Needle Bar Drive Shaft Felt	EF0550000000	
14	Bearing Case Collar	ME0555000000	
15	Direct Drive Guide Plate	EC0A18000000	
16	Shaft Holder Bushing A	EC0A16000000	
17	Presser Foot Reciprocator	EC0A15000000	
18	Cushion Bracket	EC0A19010000	
19	Shaft Holder Bushing B	EC0A17000000	
20	Presser Foot Guide Spring	EC0A25000000	
21	Oil Fencing Felt	EC0A54000000	
22	Drive Lever	EC0A13000000	
23	Drive Shaft	EC0A22000000	
24	Connecting Rod	EC0A23000000	
25	Stepped Pin A	EC0A20000000	
26	Wick B	EF0557000000	L:16
27	Stepped Pin B	EC0A21000000	
28	Cam Lever	EC0A12000000	
29	Cam Follower	BPCFS4000000	
30	Take-up Lever Drive Shaft Base	EC0A36000000	
31	Take-up Lever Drive Lever (with Arm Pin)	EC0A460S0000	
32	Cam Roller Set	ME0534S00000	
33	Take-up Lever Drive Lever B	EC0A48010000	
34	Roller Pin	CL0577000000	
35	8mm Dia. Roller	CL0578000000	
36	Needle Cage	BPKT367N0000	
37	Adjusting Washer	EC0A56A00000	0.2mm Thick
37	Adjusting Washer	EC0A56B00000	0.3mm Thick
38			
39			
40			
41			
42			
43			
44			
45			
46			
47			
48			
49			

Note: As for parts with marks # or \*, please follow our instructions on Table of Contents in your parts order.

(CG02)

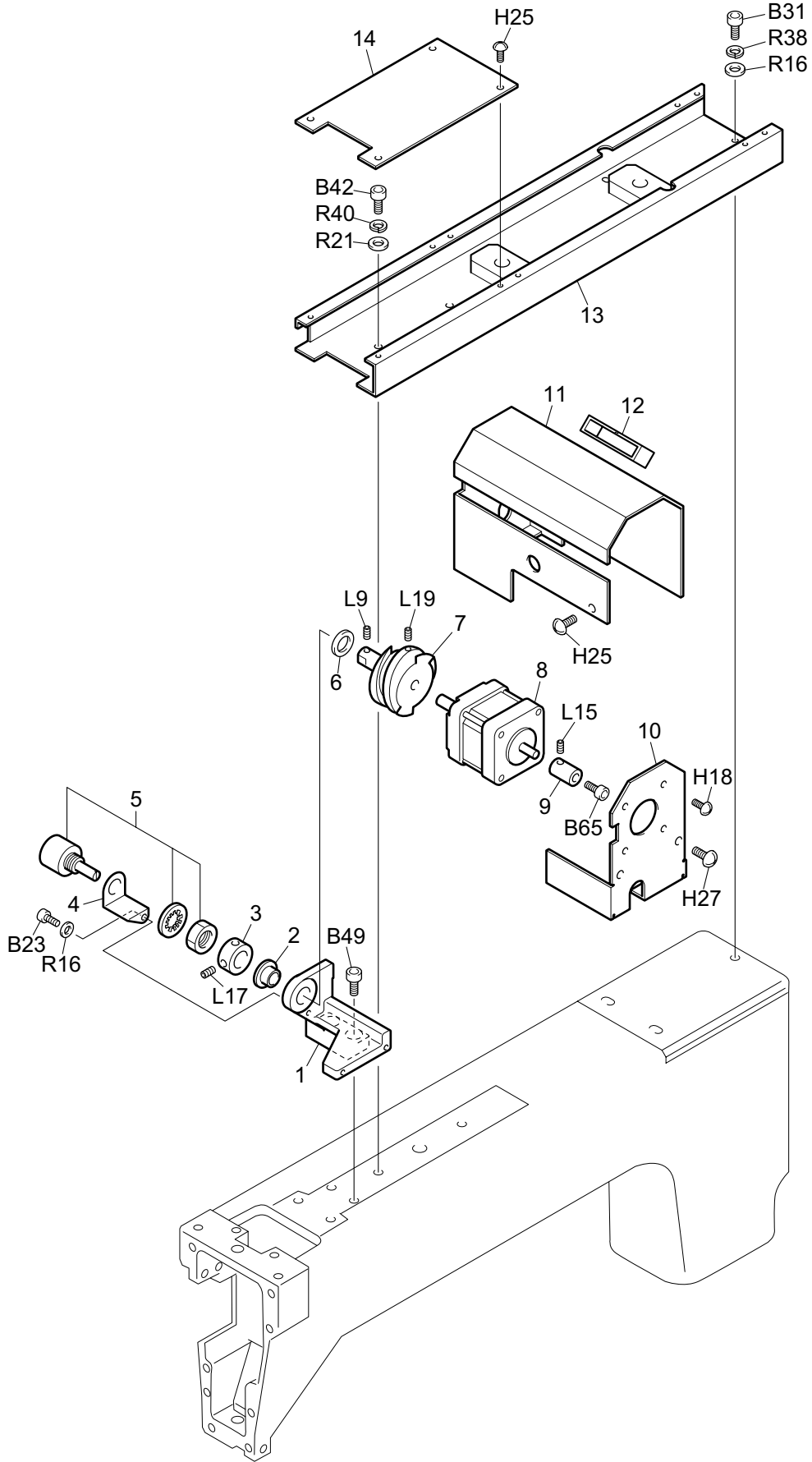


# TMEX-C ARM 3

**ECL-5-3**

Ref.No.	Description	Part No.	Remark
1	Upper Thread Hook Assembly Base	EC0A26000000	
2	Base Stud	EC0A03000000	
3	Pulse (Stepping) Motor	MX6402000000	
4	Pulse Motor Base (Upper Thread Hook)	EC0501000000	
5	Upper Thread Hook Return Spring	MX0520000000	
6	Upper Thread Hook Lever	MX0517000000	
7	Connecting Rod Plate	EC0A49000000	
8	Anti-Come-out Spring	EC0A51000000	
9	Lever Connecting Pin	EC0A50000000	
10	Guide Bushing	EC0502000000	
11	Positioning Collar	AC0302010000	
12	Upper Thread Hook Bracket	AC0306100000	
13	Upper Thread Hook	EC0A02010000	
14	Arm Cushion	AT1309000000	
15	Thread Suspender Attaching Screw	AT2311000000	
16	Hook Guide	EC0A35000000	
17	Pulse (Stepping) Motor	MX6402A00000	
18	Pulse Motor Base	EC0A32000000	
19	Jump Positioning Collar	EC0A34000000	
20	Jump Lever Return Spring	EC0A31000000	
21	Jump Lever	EC0A30000000	
22	Jump Lever Holder	EC0A33000000	
23	Cushion	AT0404000000	
24	Cushion Pin	AT0405000000	
25			
26			
27			
28			
29			
30			
31			
32			
33			
34			
35			
36			
37			
38			
39			
40			
41			
42			
43			
44			
45			
46			
47			
48			
49			
50			

Note: As for parts with marks # or \*, please follow our instructions on Table of Contents in your parts order.



# TMEX-C COLOR CHANGE SYSTEM

ECL-6

Ref.No.	Description	Part No.	Remark
1	Change Base	EC0D21000000	
2	Flanged DU Bushing	BPMB120620FD	
3	Positioning Collar	CX0402000000	
4	Sensor Base	EC0308000000	
5	Potentiometer	PB000100RV00	
6	Washer	BPTW12250000	
7	Change Cam	EC0309000000	
8	Pulse (Stepping) Motor	CX6403010000	
9	Manual Connecting Shaft	CX0403000000	
10	Color Change Motor Base	EC0D20010000	
11	Change Cover	EC0D22010000	
12	Flat Cable Clamp	PB004700EB00	
13	Wiring Duct	EC0D36000000	
14	Top Cover	EC0D19010000	
15			
16			
17			
18			
19			
20			
21			
22			
23			
24			
25			
26			
27			
28			
29			
30			
31			
32			
33			
34			
35			
36			
37			
38			
39			
40			
41			
42			
43			
44			
45			
46			
47			
48			
49			
50			

Note: As for parts with marks # or \*, please follow our instructions on Table of Contents in your parts order.



# TMEX-C NEEDLE BAR CASE 1

ECL-7-1

Ref.No.	Description	Part No.	Remark
1	Needle Bar Case	EC0B3600####	
2	Holder Spring Set Screw	EF0620000000	
3	Needle Bar	FX0632000000	
4	Needle Bar Holder Spring	ME0601020000	
5	Spring Shoe Washer	EF0619000000	
6	Felt Packing	EF062300####	
7	Cushion Rubber B	EF062700####	
8	Cushion Ring E	FX0615000000	
9	Upper Dead Point Stopper	EF0617010000	
10	Flat Fillister Head Screw	EF0647000000	
11	Needle Bar Connecting Stud	CX0606000000	
12	Presser Foot Spring Holder	FX0618010000	
13	Presser Foot Spring D	FX0619D10000	
14	Presser Foot Connecting Stud	FX0621010000	
15	Presser Foot Set	EC0B03S00000	
16	Presser Foot	EC0B03000000	
17	Presser Foot Bushing	EF0613220000	
18	Presser Foot Set Screw	FX0622000000	
19	Cushion Ring A	EF0642020000	
20	Needle Clamp	EF0616010000	
21	Needle Set Screw	EF0615000000	
22	Needle	EF0640000000	DB K5-11
23	Take-up Lever Positioning Bushing	EF0606000000	
24	Take-up Lever Shaft	EF0602000900	9-Needle
24	Take-up Lever Shaft	FX0602001200	12-Needle
24	Take-up Lever Shaft	ED0F16000000	15-Needle
25	Roller Type Take-up Lever Set	CL0611S10000	
25	Roller Type Take-up Lever Set	EC0B35S00000	15-Needle
26	Take-up Lever	FX0603010000	
27	Thread Guide	MX0521000000	
28	Take-up Lever Boss	CL0611010000	
28	Take-up Lever Boss	EC0B35000000	15-Needle
29	Take-up Lever Adjusting Bushing	EF0605000000	
30	Needle Bar Guide Rail	EC0B3200####	
31	Case Rail, Lower	FX061200####	
31	Case Rail, Lower	ED0F15000000	15-Needle
32	Parallel Pin	BPH70416L000	
33	Lock Cam	EC0B30000000	
34	Take-up Lever Lock Guide R	EC0B39000000	
35	Take-up Lever Lock Guide L	EC0B40000000	
36	Guide Spacer A	EC0B41A00000	0.1mm Thick
36	Guide Spacer B	EC0B41B00000	0.2mm Thick
37	Lock Base	EC0B33001500	
38	Lock Base Cover	EC0B34001500	
39	Lock Lever	EC0B37000000	
40	Take-up Lever Lock Spring	EC0B38000000	
41			
42			
43			
44			

Note: As for parts with marks # or \*, please follow our instructions on Table of Contents in your parts order.

(CG02)



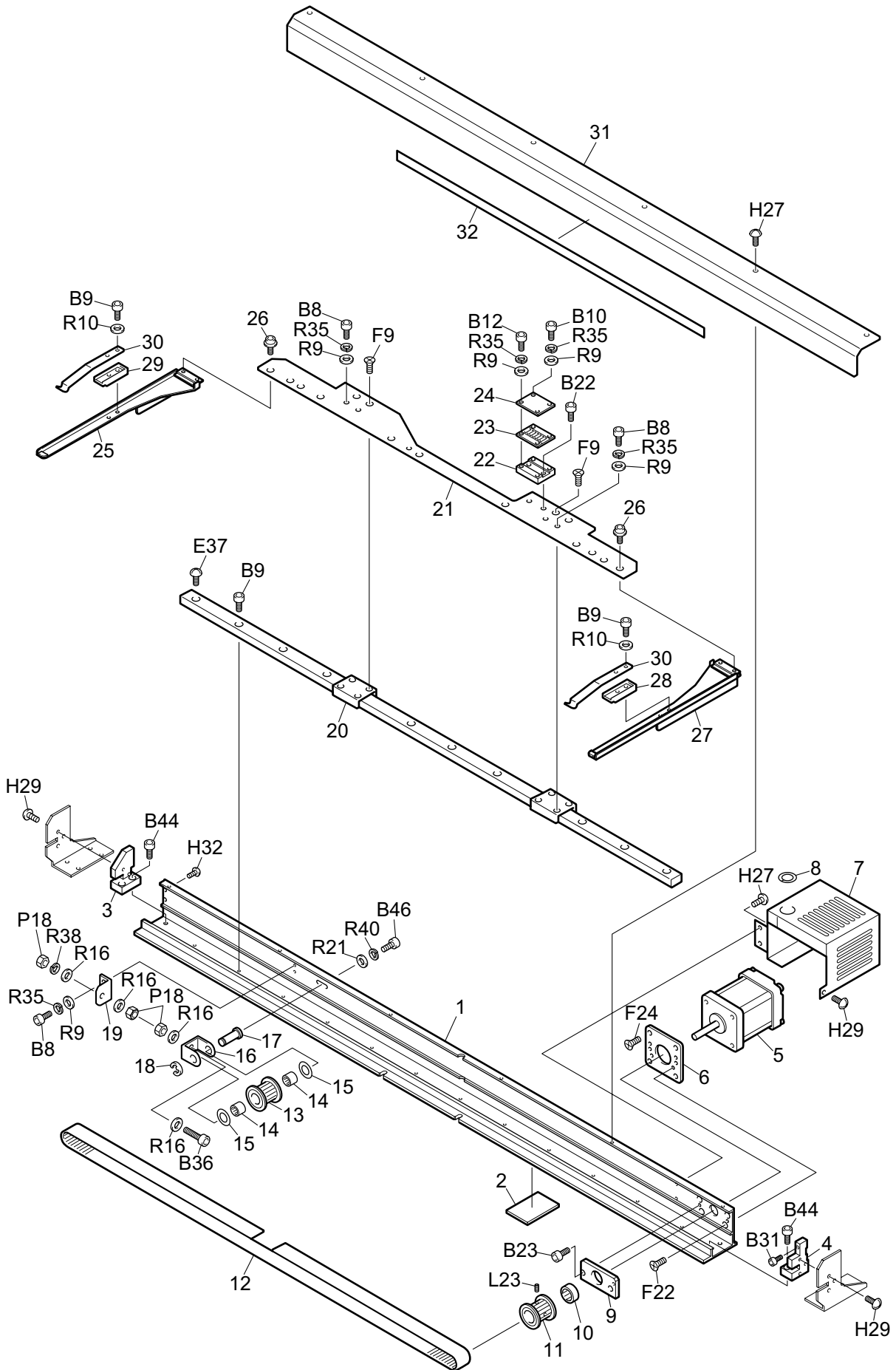
# TMEX-C NEEDLE BAR CASE 2

ECL-7-2

Ref.No.	Description	Part No.	Remark
1	Top Cover Set	UN260022****	
2	Top Cover	CX067100####	
2	Top Cover	ED0F21100000	15-Needle
3	Top Cover Attaching Screw	CX0675000000	
4	Middle Thread Guide Set	CX067200####	
4	Middle Thread Guide Set	ED0F22100000	15-Needle
5	Thread Guide	FX0626110000	
6	Thread Guide	MX0522000000	
7	Magnet Rubber	EF0635210300	9,12-Needle
8	Face Plate	EC060101####	
8	Face Plate	ED0F14000000	15-Needle
9	Lower Thread Guide Set	UN260061####	
10	Lower Thread Guide	FX062602####	
10	Lower Thread Guide	ED0F23000000	15-Needle
11	Thread Hook Spring	EF0631020900	9-Needle
11	Thread Hook Spring	FX0627031200	12-Needle
11	Thread Hook Spring	ED0F13020000	15-Needle
12	Spring Presser Bracket	FX0633010000	12,15-Needle
13	Thread Presser Base Set	UN680033####	
14	Upper Thread Holder Bracket	AT0323000000	
15	Thread Suspender Disk	EF0637000000	
16	Thread Suspender Spring	EF0639000000	
17	Thread Suspender Spring Presser	EF0638000000	
18	Thread Suspender Attaching Screw	AT2311000000	
19	Thread Presser Base (with Tape)	UN680172####	
20	Thread Presser Base	AT032400####	
21	Velcro	AT0305000900	9-Needle
21	Velcro	FX0631201200	12-Needle
21	Velcro	ED0F20001500	15-Needle
22	Thread Presser Lid (with Tape)	UN680182####	
23	Thread Presser Lid	AT032500####	
24	Thread Presser Spacer	AT0304000000	
25	Change Roller Base	EC0B3100####	
26	Cam Roller Pin Set	EF0519S00000	
27	Space Block A	CX0677010000	
28	Space Block B	CX0678010000	
29			
30			
31			
32			
33			
34			
35			
36			
37			
38			
39			
40			
41			
42			

Note: As for parts with marks # or \*, please follow our instructions on Table of Contents in your parts order.

(CG02)



# TMEX-C X-AXIS DRIVE SYSTEM

**ECL-8**

Ref.No.	Description	Part No.	Remark
1	Z-spec. Frame	EC0E31000000	
2	Z-spec. Frame Felt	EC0720000000	
3	Z-spec. Frame Fixing Block L	EC0E29L00000	
4	Z-spec. Frame Fixing Block R	EC0E29R00000	
5	X-axis Pulse Motor	EC6401020000	
6	X-axis Motor Plate A	EC0E16000000	
7	Motor Cover	EC0E22000000	
8	Spacer	EC0E21000000	
9	X-axis Motor Plate B	EC0E27000000	
10	Ball Bearing	BPR1980HH000	
11	Z-spec. Frame Pulley A	EC0709000000	
12	Timing Belt	BP015AT50299	
13	No.1 Pulley	CX0715000000	
14	Needle Bearing	BPHK10100000	
15	Washer	BPTW10200000	
16	U-shaped Bracket	EC0704000000	
17	X-axis Pin	EC0710000000	
18	E-ring	BPE700000000	
19	Tension Stay	EC0705000000	
20	X-axis Traverse Linear Way	EC0L12000000	
21	Joint Plate	EC0E06000000	
22	X-axis Stack Plate	EC0707020000	
23	X-axis Slit Plate	EC0703000000	
24	Belt Presser Plate	EC0702000000	
25	Holder Base L	EC0G03L00000	
26	Hexagon Socket Head Flange Screw	BPM4X10L0000	
27	Holder Base R	EC0G03R00000	
28	Positioning Plate A	BF1321A00000	
29	Positioning Plate B	BF1321B00000	
30	Frame Presser Spring B	CX0310000000	
31	Z-spec. Frame Cover	EC0E03000000	
32	Traverse Scale	CX07A3000000	
33			
34			
35			
36			
37			
38			
39			
40			
41			
42			
43			
44			
45			
46			
47			
48			
49			
50			

Note: As for parts with marks # or \*, please follow our instructions on Table of Contents in your parts order.

(CG02)

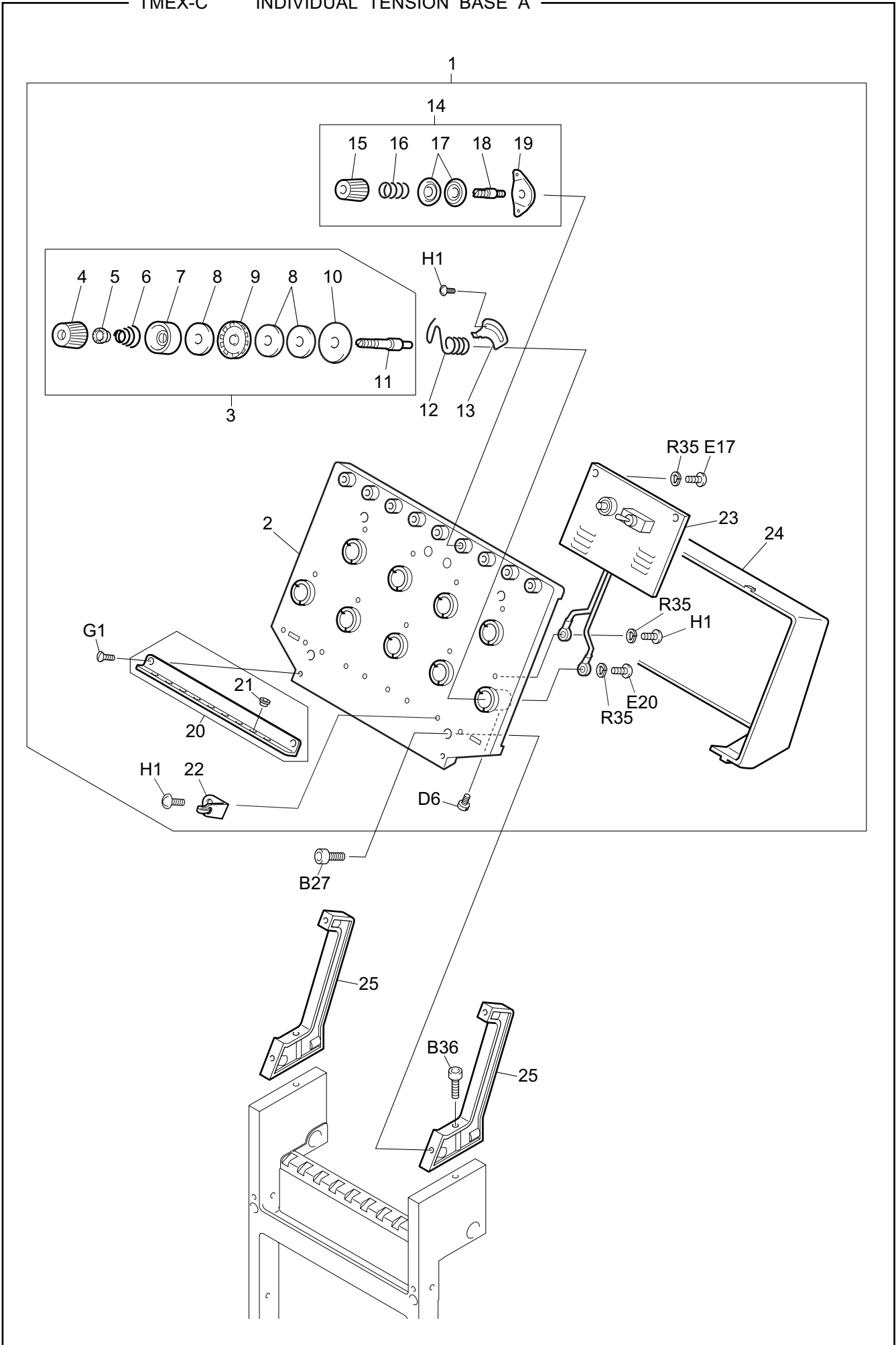


# TMEX-C Y-AXIS DRIVE SYSTEM

**ECL-9**

Ref.No.	Description	Part No.	Remark
1	Y-axis Frame L	EC0E32L00000	
2	Y-axis Frame R	EC0E32R00000	
3	Frame Bracket	EC0807000000	
4	Frame Bracket B	EC0F12000000	
5	Y-axis Traverse Linear Way	BPC2R0580267	
6	Y-axis Belt Catcher	CX0705000000	
7	Y-axis Stack Plate	EC0708000000	
8	Z-spec. Frame Stay L	EC0E30L00000	
9	Z-spec. Frame Stay R	EC0E30R00000	
10	Frame Cover A	CX07B7000000	
11	Y-axis Tension Bearing Case	CX07C5000000	
12	No.1 Pulley	CX0715000000	
13	Needle Bearing	BPHK10100000	
14	Washer	BPTW10200000	
15	Tension Shaft	CX07C1000000	
16	Timing Belt	BP025AT50247	
17	Z-spec. Frame Pulley A	EC0709000000	
18	Y-axis Collar	EC0E25000000	
19	Ball Bearing	BP6002ZZ0000	
20	Y-axis Pulse Motor Base	EC0E28000000	
21	Y-axis Pulse Motor	EC6402000000	
22	Split Joint	EC0E26000000	
23	Y-axis Shaft	EC0E24000000	
24	Front Table Holder L	EC0F36L00000	
25	Front Table Holder R	EC0F36R00000	
26			
27			
28			
29			
30			
31			
32			
33			
34			
35			
36			
37			
38			
39			
40			
41			
42			
43			
44			
45			
46			
47			
48			
49			
50			

Note: As for parts with marks # or \*, please follow our instructions on Table of Contents in your parts order.

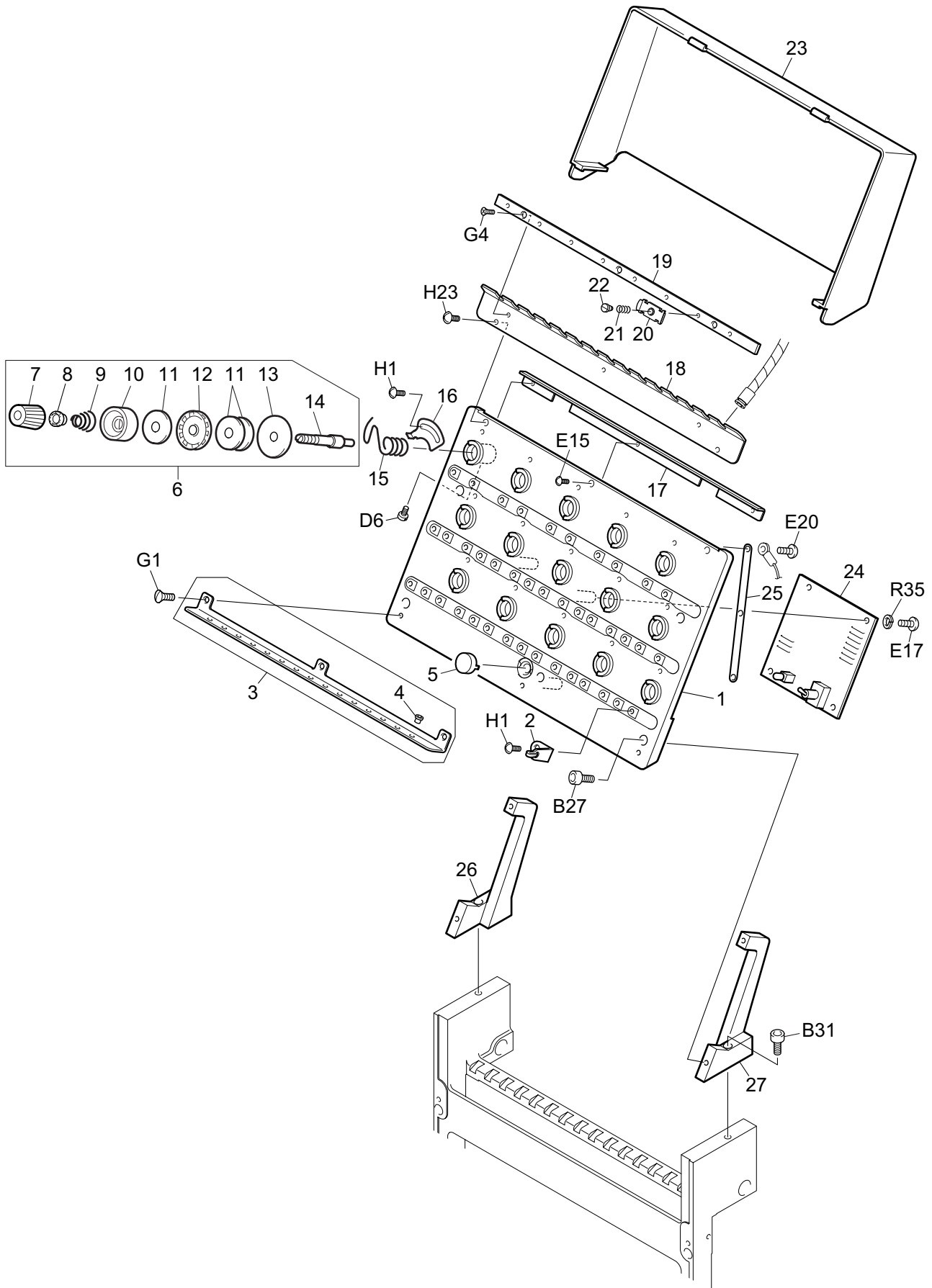


# TMEX-C INDIVIDUAL TENSION BASE A

ECL-10a

Ref.No.	Description	Part No.	Remark
1	Individual Tension Base Set	UN230025####	
2	Individual Tension Base	FX09010B####	
3	Tension Base Tension Set	UN2305000001	
4	Adjusting Screw	EF09090A0000	
5	Spring Hook	EF0910000000	
6	Tension Spring	EF0908000000	
7	Tension Collar	EF09060A0000	
8	Felt Packing	EF0904000000	
9	Rotary Tension Disk	EF0905010000	
10	Insulation Plate	EF0903000000	
11	Tension Stud	LG0923000000	
12	Thread Take-up Spring	EF0907040000	
13	Thread Breakage Detecting Contact Point	LG0916000000	
14	First Tension Set	UN150500A001	
15	First Tension Thread Spring Screw	LG09220A0000	
16	First Tension Spring B	LG0960000000	
17	First Tension Disk	LG0920010000	
18	First Tension Stud	LG0918010000	
19	First Tension Thread Course	LG0919010000	
20	Tension Base Lower Thread Guide	CX090101####	
21	Thread Guide	MX0521000000	
22	Tension Base Middle Thread Guide	LG0917020000	
23	Tension Base Card (PC Board)	MX7202010000	
24	Tension Base Cover	FX09030A####	
25	Tension Base Support	EC0905000000	
26			
27			
28			
29			
30			
31			
32			
33			
34			
35			
36			
37			
38			
39			
40			
41			
42			
43			
44			
45			
46			
47			
48			
49			
50			

Note: As for parts with marks # or \*, please follow our instructions on Table of Contents in your parts order.



# TMEX-C INDIVIDUAL TENSION BASE B (15-NEEDLE)

ECL-10b

Ref.No.	Description	Part No.	Remark
1	Individual Tension Base	ED0K10020000	
2	Tension Base Middle Thread Guide	LG0917020000	
3	Tension Base Lower Thread Guide	ED0K12000000	
4	Thread Guide	MX0521000000	
5	Tension Base Lamp Cover	ED0K17000000	
6	Tension Base Tension Set	UN2305000001	
7	Adjusting Screw	EF09090A0000	
8	Spring Hook	EF0910000000	
9	Tension Spring	EF0908000000	
10	Tension Collar	EF09060A0000	
11	Felt Packing	EF0904000000	
12	Rotary Tension Disk	EF0905010000	
13	Insulation Plate	EF0903000000	
14	Tension Stud	LG0923000000	
15	Thread Take-up Spring	EF0907040000	
16	Thread Breakage Detecting Contact Point	ED0K16000000	
17	Tension Base Cover Stopper	ED0K18000000	
18	First Tension Base	EC0911000000	
19	Thread Guide Plate	EC0910000000	
20	Thread Presser	EC0909000000	
21	Thread Presser Spring	EC0908000000	
22	Pin No.303	EC0907000000	
23	Tension Base Cover	ED0K11000000	
24	Tension Base Card (PC Board)	MX7202A00000	
25	Thread Breakage Detecting Plate A	ED0K14000000	
26	Individual Tension Base Support L	ED0K19L00000	
27	Individual Tension Base Support R	ED0K19R00000	
28			
29			
30			
31			
32			
33			
34			
35			
36			
37			
38			
39			
40			
41			
42			
43			
44			
45			
46			
47			
48			
49			
50			

Note: As for parts with marks # or \*, please follow our instructions on Table of Contents in your parts order.

(CG02)



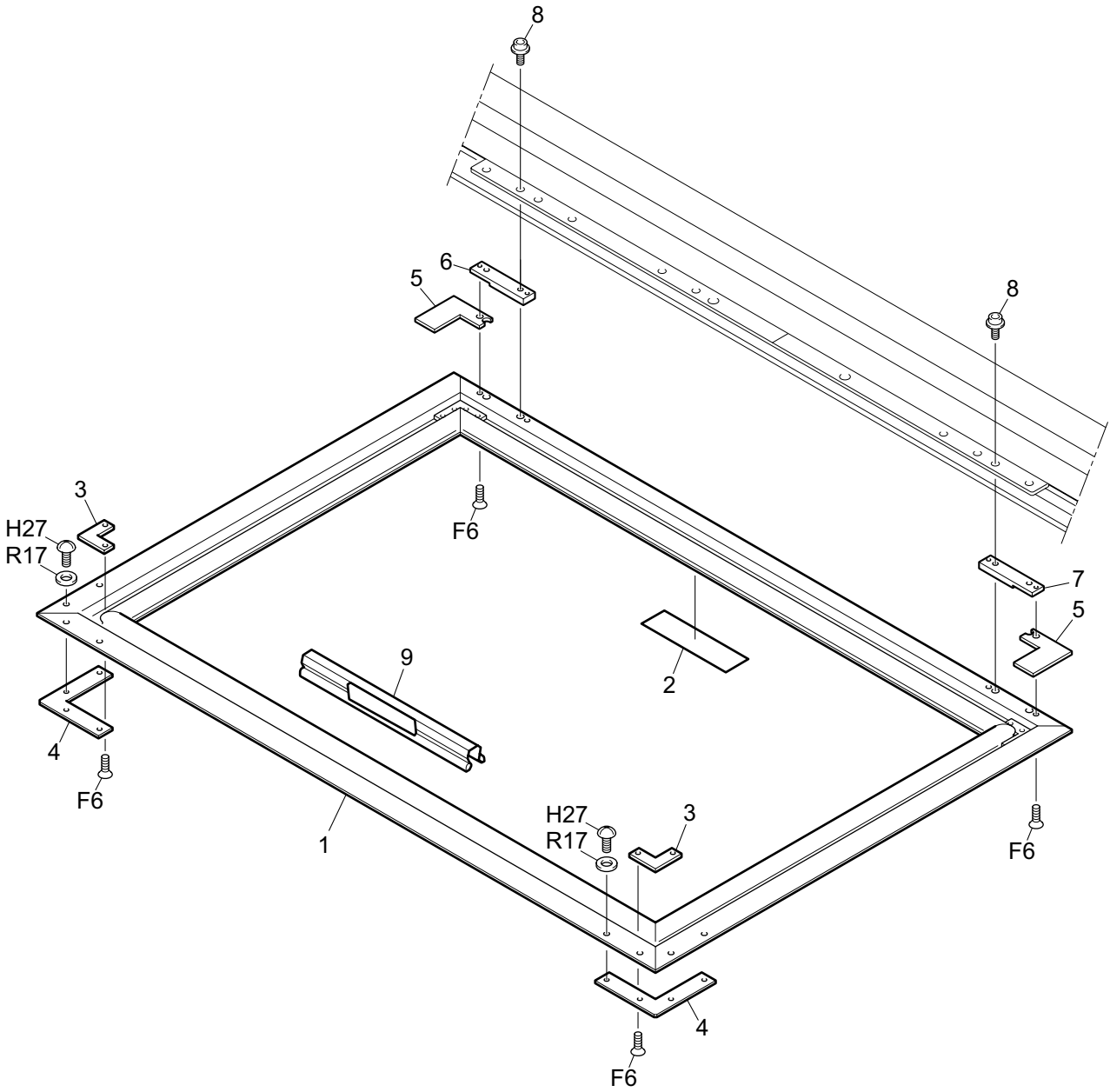
# TMEX-C THREAD STAND

ECL-11

Ref.No.	Description	Part No.	Remark
1	Thread Stand Plate	EC0D3300####	
2	Thread Stand Stud	EF0939010000	
3	Thread Stand Felt	EF0940000000	
4	Bobbin Stand	EF0122000000	
5	Under Thread Tension Stay	EC0D12000000	
6	Adjusting Screw	EF09090A0000	
7	Lower Thread Winding Coil Spring	CX1103000000	
8	Thread Course Tension Disk	EF0913000000	
9	Felt Packing	EF0904000000	
10	Thread Course Tension Stud	EF0914000000	
11	Thread Course Thread Guide	EF0912000000	
12	Thread Stand Shaft	CT0603010000	
13	Tension Thread Guide	EC0D3700####	
14	Thread Course Angle A	EC0D1400####	
15	Thread Guide A (White)	EF0942A00000	
15	Thread Guide B (Red)	EF0942B00000	
16	Thread Course Angle B	EC0D1501####	
17	Thread Course Angle C	EC0D1601####	
18	Thread Course Stay	EC0D34000000	
19	No.1 Tension Set	UN150600B000	
20	No.1 Thread Tension Spring Screw	LG09220A0000	
21	No.1 Tension Spring B	LG0960000000	
22	No.1 Tension Disk	LG0920010000	
23	Thread Course Felt	EC0D29000000	
24	No.1 Tension Stud	EC0D30000000	
25	No.1 Tension Thread Course	LG0919010000	
26	Thread Course	EC0D35000000	
27	No.1 Tension Thread Course	ED0L14010000	
28	Spiral Tube 1	EC0906000001	220mm long,6,7,8,9,10th Needles
28	Spiral Tube 2	EC0906000002	230mm long,4,5,11,12th Needles
28	Spiral Tube 3	EC0906000003	240mm long,1,2,3,13,14,15th Needles
29	Tube Joint	ED0L11000000	
30	Tube Presser Pipe	ED0L12000000	
31			
32			
33			
34			
35			
36			
37			
38			
39			
40			
41			
42			
43			
44			
45			
46			
47			

Note: As for parts with marks # or \*, please follow our instructions on Table of Contents in your parts order.

(CG02)



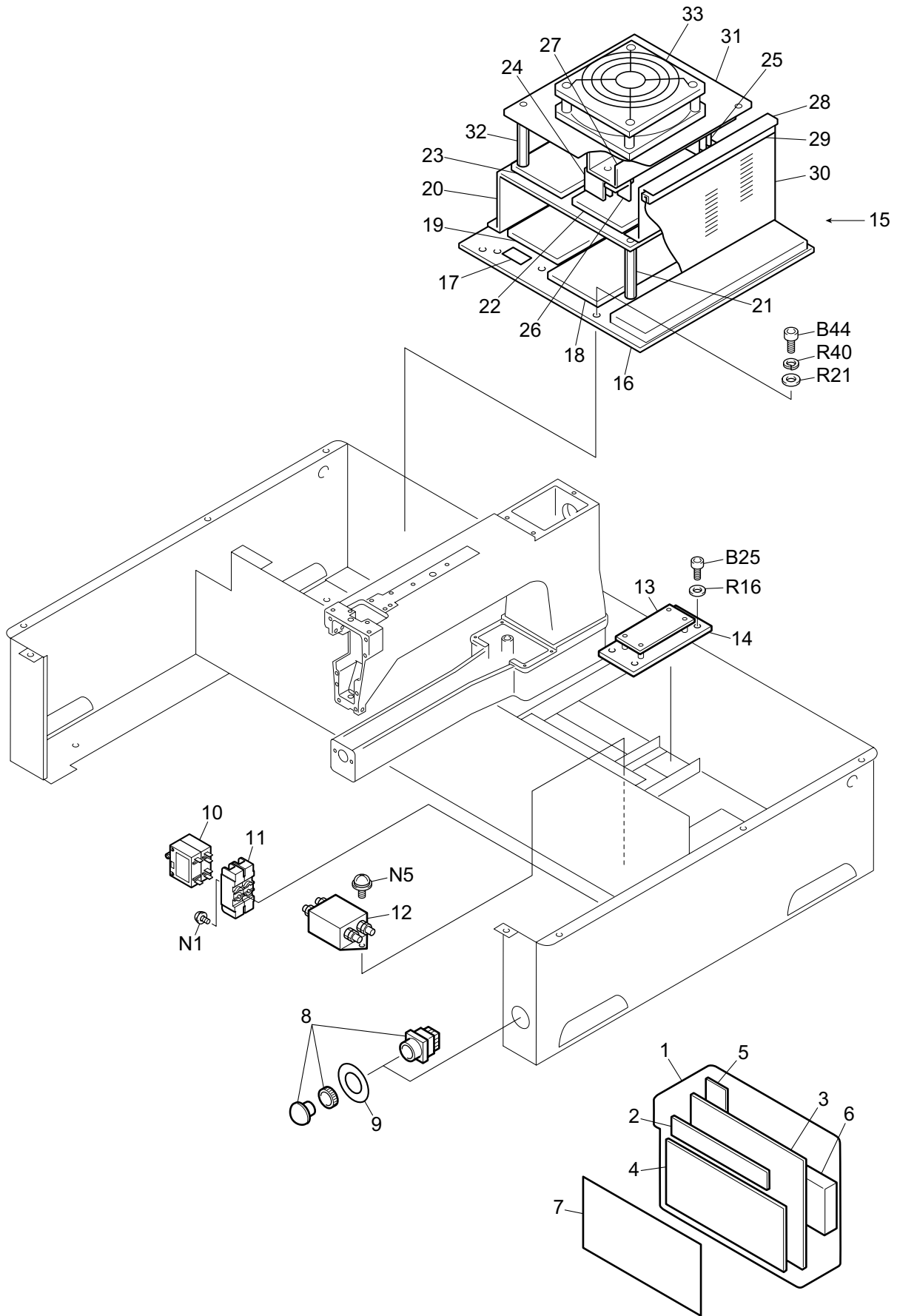
# TMEX-C BORDER FRAME (OPTION)

ECL-12

Ref.No.	Description	Part No.	Remark
1	Border Frame	EC0G01010000	
2	Border Frame Felt	CX0386000000	
3	Border Frame L-plate	CX0302010000	
4	Frame Corner	CX03C3000000	
5	Glued Corner Spacer A	EC0201A00000	
6	Border Frame Spacer L	EC0202L00000	
7	Border Frame Spacer R	EC0202R00000	
8	Hexagon Socket Head Flange Screw	BPM4X8L00000	
9	Border Frame Clip	MX0320A0****	For Y-axis
9	Border Frame Clip	EF030700****	For X-axis
10			
11			
12			
13			
14			
15			
16			
17			
18			
19			
20			
21			
22			
23			
24			
25			
26			
27			
28			
29			
30			
31			
32			
33			
34			
35			
36			
37			
38			
39			
40			
41			
42			
43			
44			
45			
46			
47			
48			
49			

Note: As for parts with marks # or \*, please follow our instructions on Table of Contents in your parts order.

(CG02)



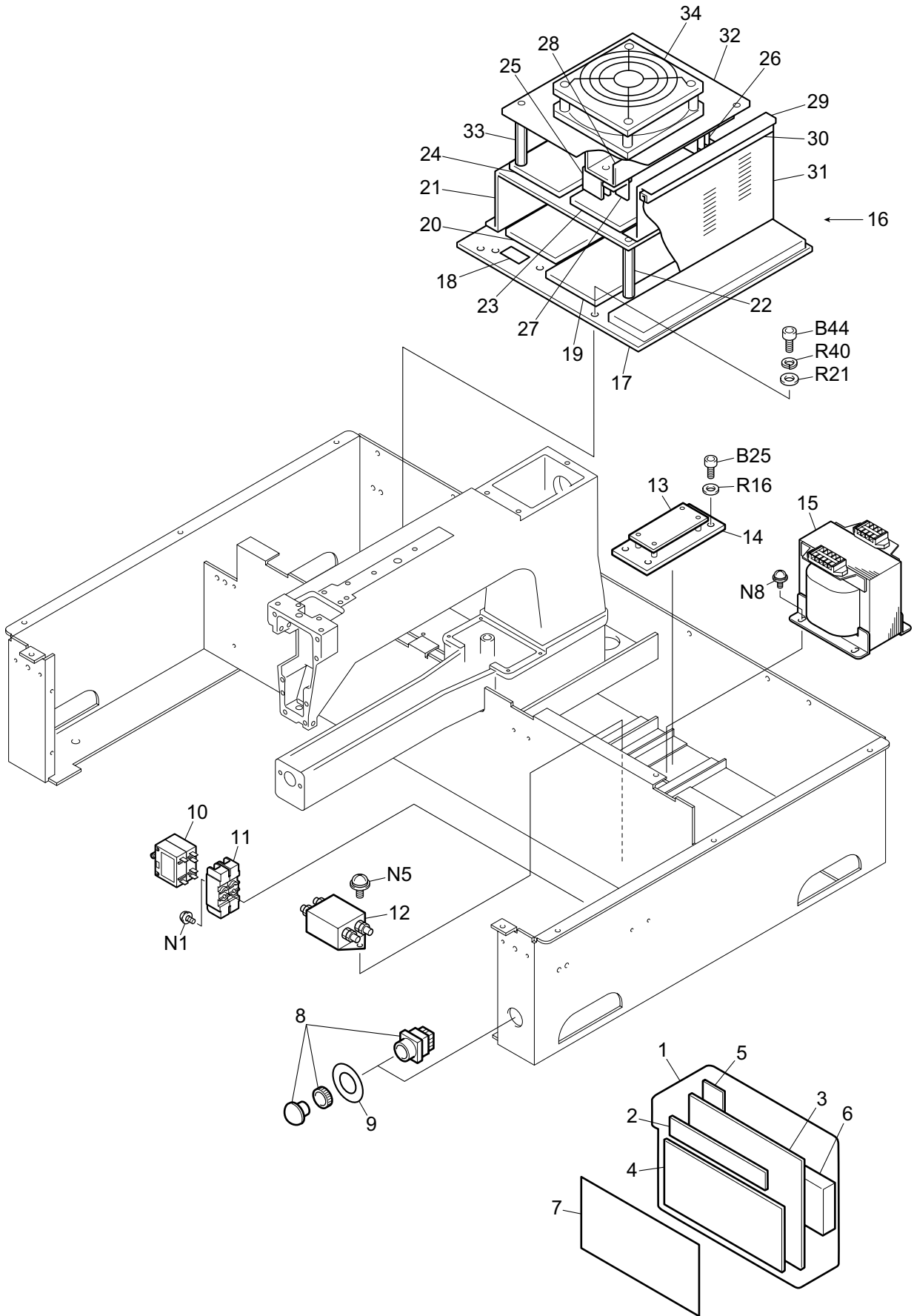
# TMEX-C ELECTRIC PARTS

ECL-13

Ref.No.	Description	Part No.	Remark
1	Controller	EC5102050000	
2	FIP (Indicator Assembly)	PB001100LP00	
3	CPU Card	MX5101A50000	
4	Switch Card	MX5102000000	
5	Extension Card	HX5102000000	
6	Floppy Disk Drive	PB000800RE00	
7	Operation Panel Switch Sheet	EC5101000000	
8	Push-button Switch	PB0019D0SP00	
9	Push-botton Switch Emergency Stop Plate	PB0019C0SP00	
10	Circuit Protector	PB002500KA00	
11	Terminal Base	PB002600KA00	
12	Noise Filter	PB000800FM00	
13	Joint Card (PC Board)	MX6101000000	
14	Joint Card Base	EC0F18000000	
15	Power Supply Driver Unit	EC5601000000	
16	Electrical Component Parts Base	EC0F06000000	
17	DC Power Supply	EC5603000000	
18	DC Power Supply	PB002501PW00	
19	DC Power Supply	PB002600PW00	
20	Card Bracket	EC0F07000000	
21	Stud Bolt	EC0F16000000	
22	X/Y-Axis Driver	EC6102020000	
23	Head Card	CL6101A30000	
24	Fin A	EC0F19000000	
25	Fin B	EC0F20000000	
26	Fin C	EC0F21000000	
27	Fin D	EC0F22000000	
28	Card Support	EC0F08000000	
29	Guide Rail	PB004100EB00	
30	Main Shaft Driver	CX5602070000	
31	Fan Attaching Base	EC0F23000000	
32	Stud Bolt	EC0F11000000	
33	Fan	PB000900BF00	
34			
35			
36			
37			
38			
39			
40			
41			
42			
43			
44			
45			
46			
47			
48			
49			
50			

Note: As for parts with marks # or \*, please follow our instructions on Table of Contents in your parts order.

(CG02)



# TMEX-C(UL) ELECTRIC PARTS

ECL-13

Ref.No.	Description	Part No.	Remark
1	Controller	EC5102050000	
2	FIP (Indicator Assembly)	PB001100LP00	
3	CPU Card	MX5101A50000	
4	Switch Card	MX5102000000	
5	Extension Card	HX5102000000	
6	Floppy Disk Drive	PB000800RE00	
7	Operation Panel Switch Sheet	EC5101000000	
8	Push-button Switch	PB0019D0SP00	
9	Push-botton Switch Emergency Stop Plate	PB0019C0SP00	
10	Circuit Protector	PB002500KA00	
11	Terminal Base	PB002600KA00	
12	Noise Filter	PB000800FM00	
13	Joint Card (PC Board)	MX6101000000	
14	Joint Card Base	EC0F18000000	
15	Transformer	PA6015000000	
16	Power Supply Driver Unit	EC5601000000	
17	Electrical Component Parts Base	EC0F06000000	
18	DC Power Supply	EC5603000000	
19	DC Power Supply	PB002501PW00	
20	DC Power Supply	PB002600PW00	
21	Card Bracket	EC0F07000000	
22	Stud Bolt	EC0F16000000	
23	X/Y-Axis Driver	EC6102020000	
24	Head Card	CL6101A30000	
25	Fin A	EC0F19000000	
26	Fin B	EC0F20000000	
27	Fin C	EC0F21000000	
28	Fin D	EC0F22000000	
29	Card Support	EC0F08000000	
30	Guide Rail	PB004100EB00	
31	Main Shaft Driver	CX5602070000	
32	Fan Attaching Base	EC0F23000000	
33	Stud Bolt	EC0F11000000	
34	Fan	PB000900BF00	
35			
36			
37			
38			
39			
40			
41			
42			
43			
44			
45			
46			
47			
48			
49			
50			

Note: As for parts with marks # or \*, please follow our instructions on Table of Contents in your parts order.

(CG02)

No.	Part No.	Remark	No.	Part No.	Remark
A	Flat Fillister Head Screw		B17	SS6203180TN0	M3*18
A1	SM15015450CN	1/8*44*5	B18	SS6203200TD0	M3*20
A2	SM15015455CN	1/8*44*5.5	B19	SS6203200TN0	M3*20
A3	SM15015460CN	1/8*44*6	B20	SS6203250TN0	M3*25
A4	SM16515530CN	9/64*40*3	B21	SS6204050TD0	M4*5
A5	SM14020540CN	9/64*40*4	B22	SS6204050TN0	M4*5
A6	SM16516540SA	9/64*40*4	B23	SS6204060TN0	M4*6
A7	SM17010540CN	9/64*40*4	B24	SS6204080TD0	M4*8
A8	SM1E515550CN	9/64*40*5	B25	SS6204080TN0	M4*8
A9	SM14020560CN	9/64*40*6	B26	SS6204100TD0	M4*10
A10	SM15525560CN	9/64*40*6	B27	SS6204100TN0	M4*10
A11	SM15526570CN	9/64*40*7	B28	SS6204120TD0	M4*12
A12	SM15020580CN	9/64*40*8	B29	SS6204120TN0	M4*12
A13	SM15530580CN	9/64*40*8	B30	SS6204150TN0	M4*15
A14	SM16025580CN	9/64*40*8	B31	SS6204180TN0	M4*18
A15	SM150205A0CN	9/64*40*10	B32	SS6204200TD0	M4*20
A16	SM150205C0CN	9/64*40*12	B33	SS6204200TN0	M4*20
A17	SM150205F0CN	9/64*40*15	B34	SS6204250TN0	M4*25
A18	SM15422643TN	11/64*40*4.3	B35	SS6204250TN1	M4*25
A19	SM17017670CN	11/64*40*7	B36	SS6204300TN0	M4*30
A20	SM1C035675CN	11/64*40*7.5	B37	SS6204350TN0	M4*35
A21	SM10825690SH	11/64*40*9	B38	SS6204400TN0	M4*40
A22	SM146266B5CN	11/64*40*11.5	B39	SS6204450TN0	M4*45
A23	SM172316C0CN	11/64*40*12	B40	SS6205060TN0	M5*6
A24	SS6003080SC0	M3*8	B41	SS6205080TD0	M5*8
A25	SS6003080SD0	M3*8	B42	SS6205080TN0	M5*8
A26	SS6003100CC0	M3*10	B43	SS6205100TD0	M5*10
A27	SS6004100SC0	M4*10	B44	SS6205100TN0	M5*10
			B45	SS6205100TP0	M5*10
			B46	SS6205120TN0	M5*12
			B47	SS6205140TN0	M5*14
			B48	SS6205150TD0	M5*15
			B49	SS6205150TN0	M5*15
B	Hexagon Socket Head Cap Screw		B50	SS6205160TN0	M5*16
B1	SS6202080TD0	M2*8	B51	SS6205180TN0	M5*18
B2	SS6202100TD0	M2*10	B52	SS6205200TD0	M5*20
B3	SS6276050TN0	M2.6*5	B53	SS6205200TN0	M5*20
B4	SS6203030TN0	M3*3	B54	SS6205220TN0	M5*22
B5	SS6203040TN0	M3*4	B55	SS6205230TN0	M5*23
B6	SS6203050TN0	M3*5	B56	SS6205250TN0	M5*25
B7	SS6203060TD0	M3*6	B57	SS6205300TN0	M5*30
B8	SS6203060TN0	M3*6	B58	SS6205350TN0	M5*35
B9	SS6203080TD0	M3*8	B59	SS6205350TN1	M5*35
B10	SS6203080TN0	M3*8	B60	SS6205500TN0	M5*50
B11	SS6203100TD0	M3*10	B61	SS6205500TN1	M5*50
B12	SS6203100TN0	M3*10	B62	SS6205550TN0	M5*55
B13	SS6203120TN0	M3*12	B63	SS6205600TN0	M5*60
B14	SS6203150TD0	M3*15	B64	SS6205600TN1	M5*60
B15	SS6203150TN0	M3*15	B65	SS6206080TN0	M6*8
B16	SS6203160TN0	M3*16	B66	SS6206090TN0	M6*9

# B.C.D.E

No.	Part No.	Remark	No.	Part No.	Remark
<b>B</b>	Hexagon Socket Head Cap Screw		<b>C8</b>	SS9306450SD0	M6*45
B67	SS6206100TN0	M6*10	C9	SS9306500SC0	M6*50
B68	SS6206120TN0	M6*12	C10	SS9306500SD0	M6*50
B69	SS6206150TN0	M6*15	C11	SS9306550SD0	M6*55
B70	SS6206180TN0	M6*18	C12	SS9306650SD0	M6*65
B71	SS6206200TN0	M6*20	C13	SS9306750SC0	M6*75
B72	SS6206250TN0	M6*25	C14	SS9308150TN0	M8*15
B73	SS6206300TN0	M6*30	C15	SS9308180TN0	M8*18
B74	SS6206350TN0	M6*35	C16	SS9310300TN0	M10*30
B75	SS6206400TN0	M6*40	C17	SS9310350SC0	M10*35
B76	SS6206450TN0	M6*45	C18	SS9310350TN0	M10*35
B77	SS6206450TN1	M6*45	C19	SS9310400SC1	M10*40
B78	SS6206500TN1	M6*50	C20	SS9312500TN0	M12*50
B79	SS6206650TN0	M6*65			
B80	SS6506750TN1	M6*75			
B81	SS6206800TN1	M6*80			
B82	SS6206A00TN0	M6*100			
B83	SS6208120TN0	M8*12			
B84	SS6208150TN0	M8*15	<b>D</b>	Round Fillister Head Screw	
B85	SS6208150TP0	M8*15	D1	SM66514540CL	9/64*40*4
B86	SS6208200TN0	M8*20	D2	SM66015550CL	9/64*40*5
B87	SS6208250TN0	M8*25	D3	SM66015550CN	9/64*40*5
B88	SS6208300TN0	M8*30	D4	SM67018550CN	9/64*40*5
B89	SS6208350TN0	M8*35	D5	SM67020550CN	9/64*40*5
B90	SS6208400TN0	M8*40	D6	SM66015560CL	9/64*40*6
B91	SS6208400TN1	M8*40	D7	SM66015560CN	9/64*40*6
B92	SS6208450TN0	M8*45	D8	SM67020560CL	9/64*40*6
B93	SS6208450TN1	M8*45	D9	SM67020560CN	9/64*40*6
B94	SS6208500TN0	M8*50	D10	SM65817568CN	9/64*40*6.8
B95	SS6208600TN0	M8*60	D11	SM67020580CN	9/64*40*8
B96	SS6208700TN0	M8*70	D12	SM660255A0CN	9/64*40*10
B97	SS6210250TN0	M10*25	D13	SM670205C0CN	9/64*40*12
B98	SS6210300TN0	M10*30	D14	SM67015660CN	11/64*40*6
B99	SS6210350TN0	M10*35	D15	SM67530665CN	11/64*40*6.5
B100	SS6210400TN0	M10*40	D16	SM675306A5CN	11/64*40*10.5
B101	SS6212300TN0	M12*30	D17	SM675306C0CN	11/64*40*12
B102	SS6212350TN0	M12*35	D18	SM675256F0CN	11/64*40*15
			D19	SM69065CQ5CN	9/32*28*24.5
			D20	SS7003050SD0	M3*5
<b>C</b>	Hexagon Bolt				
C1	SS9303060SD0	M3*6			
C2	SS9304080SD0	M4*8	<b>E</b>	Pan Head Screw	
C3	SS9305100SD0	M5*10	E1	SS4164014MZ0	M1.4*1.4
C4	SS9305150SC0	M5*15	E2	SS4102030MZ0	M2*3
C5	SS9305150SD0	M5*15	E3	SS4102040MZ0	M2*4
C6	SS9305200SD0	M5*20	E4	SS4102080MZ0	M2*8
C7	SS9306150SC0	M6*15	E5	SS4175030MZ0	M2.5*3

No.	Part No.	Remark	No.	Part No.	Remark
E	Pan Head Screw		E55	SS4105500SD1	M5*50
E6	SS4175040MZ0	M2.5*4	E56	SS4105600SD1	M5*60
E7	SS4175050MZ0	M2.5*5			
E8	SS4175080MZ0	M2.5*8			
E9	SS4175130MZ0	M2.5*13			
E10	SS4175130SD0	M2.5*13			
E11	SS4103030MZ0	M3*3			
E12	SS4103030SD0	M3*3	F	Countersunk Head Screw	
E13	SS4103040CD0	M3*4	F1	SMA55005A0CN	9/64*40*10
E14	SS4103040MZ0	M3*4	F2	SMB7000680CN	11/64*40*8
E15	SS4103040SD0	M3*4	F3	SS1102060SD0	M2*6
E16	SS4103050MZ0	M3*5	F4	SS1103040MZ0	M3*4
E17	SS4103050SD0	M3*5	F5	SS1103040SD0	M3*4
E18	SS4103060MZ0	M3*6	F6	SS1103050SD0	M3*5
E19	SS4103060SA0	M3*6	F7	SS1003060SD0	M3*6
E20	SS4103060SD0	M3*6	F8	SS1103060MZ0	M3*6
E21	SS4103080MZ0	M3*8	F9	SS1103060SD0	M3*6
E22	SS4103080SA0	M3*8	F10	SS1103070SD0	M3*7
E23	SS4103080SD0	M3*8	F11	SS1003080SD0	M3*8
E24	SS4103100SC1	M3*10	F12	SS1103080MZ0	M3*8
E25	SS4103100SD0	M3*10	F13	SS1103080SC0	M3*8
E26	SS4103110SC1	M3*11	F14	SS1103080SD0	M3*8
E27	SS4103120MZ0	M3*12	F15	SS1103080SN0	M3*8
E28	SS4103120SD0	M3*12	F16	SS1103100SD0	M3*10
E29	SS4103140SA0	M3*14	F17	SS1103120MZ0	M3*12
E30	SS4103140SD0	M3*14	F18	SS1103120SD0	M3*12
E31	SS4103150SD0	M3*15	F19	SS1103150MZ0	M3*15
E32	SS4103400SD1	M3*40	F20	SS1103160SD0	M3*16
E33	SS4103500SD1	M3*50	F21	SS1104050SD0	M4*5
E34	SS4104040SD0	M4*4	F22	SS1104060SD0	M4*6
E35	SS4104050SD0	M4*5	F23	SS1104080MZ0	M4*8
E36	SS4104060MZ0	M4*6	F24	SS1104080SD0	M4*8
E37	SS4104060SD0	M4*6	F25	SS1104100MZ0	M4*10
E38	SS4104080SD0	M4*8	F26	SS1104100SD0	M4*10
E39	SS4104100SD0	M4*10	F27	SS1104120SD0	M4*12
E40	SS4104120SD0	M4*12	F28	SS1104140SD0	M4*14
E41	SS4104150SD0	M4*15	F29	SS1104150SD0	M4*15
E42	SS4104180SD0	M4*18	F30	SS1104200SD0	M4*20
E43	SS4104300SD0	M4*30	F31	SS1104220SD0	M4*22
E44	SS4104500SD0	M4*50	F32	SS1104250SD0	M4*25
E45	SS4104600SD1	M4*60	F33	SS1105060SD0	M5*6
E46	SS4105060SD0	M5*6	F34	SS1105080SD0	M5*8
E47	SS4105070SD0	M5*7	F35	SS1105100SD0	M5*10
E48	SS4105080SD0	M5*8	F36	SS1105120SD0	M5*12
E49	SS4105100MZ0	M5*10	F37	SS1105150SD0	M5*15
E50	SS4105100SD0	M5*10	F38	SS1105300SD0	M5*30
E51	SS4105120SD0	M5*12	F39	SS1105350SD0	M5*35
E52	SS4105300SD1	M5*12	F40	SS1106150SC0	M6*15
E53	SS4105150SD0	M5*15	F41	SS1106150SD0	M6*15
E54	SS4105450SD1	M5*45	F42	SS1106350SD0	M6*35

# F.G.H.J.K

No.	Part No.	Remark	No.	Part No.	Remark
F	Countersunk Head Screw		H28	SS0104080MZ0	M4*8
F43	SS1108120SD0	M8*12	H29	SS0104080SD0	M4*8
F44	SS1108700TN0	M8*70	H30	SS0104080SD2	M4*8
			H31	SS0104100MZ0	M4*10
			H32	SS0104100SD0	M4*10
			H33	SS0104120SD0	M4*12
			H34	SS0104150SD0	M4*15
			H35	SS0104200SD0	M4*20
G	Round Countersunk Head Screw		H36	SS0105050SD0	M5*5
G1	SMC5000460CL	1/8*44*6	H37	SS0105060SD0	M5*6
G2	SMC5000530CL	9/64*40*3	H38	SS0105065SD0	M5*6.5
G3	SMC5000535CL	9/64*40*3.5	H39	SS0105070SD0	M5*7
G4	SMC5000540CL	9/64*40*4	H40	SS0105080SD0	M5*8
G5	SMC5000560CL	9/64*40*6	H41	SS0105100CB0	M5*10
G6	SMC5000570CL	9/64*40*7	H42	SS0105100SD0	M5*10
G7	SMC5000595CL	9/64*40*9.5	H43	SS0105120SD0	M5*12
G8	SMC50005C0CL	9/64*40*12	H44	SS0105150SD0	M5*15
			H45	SS0105200SD0	M5*20
			H46	SS0105250SD0	M5*25
			H47	SS0105350SD0	M5*35
			H48	SS0106080SD0	M6*8
			H49	SS0106100SD0	M6*10
H	Truss Head Screw		H50	SS0106220SD0	M6*22
H1	SMF6016470CL	1/8*44*7	H51	SS0106250SD0	M6*25
H2	SMF8020530CL	9/64*40*3.5	H52	SS0106350SD0	M6*35
H3	SMF8020540CL	9/64*40*4	H53	SS0106400SD0	M6*40
H4	SME9510540CM	9/64*40*4			
H5	SMF8020560CL	9/64*40*6			
H6	SMF8020580CL	9/64*40*8			
H7	SS0175030MZ0	M2.5*3			
H8	SS0175030SD0	M2.5*3			
H9	SS0175040MZ0	M2.5*4	J	Round Head Screw	
H10	SS0175040SA0	M2.5*4	J1	SS3102030MZ0	M2*3
H11	SS0175040SD0	M2.5*4	J2	SS3103080SD0	M3*8
H12	SS0103030MZ0	M3*3	J3	SS3103080SE0	M3*8
H13	SS0103030SD0	M3*3	J4	SS3103100MZ0	M3*10
H14	SS0103040SD0	M3*4			
H15	SS0103050MZ0	M3*5			
H16	SS0103050SD0	M3*5			
H17	SS0103060MZ0	M3*6			
H18	SS0103060SD0	M3*6			
H19	SS0103060SA0	M3*6	K	Slotted Set Screw	
H20	SS0103080SD0	M3*8	K1	SMK0000435CN	1/8*44*3.5
H21	SS0103080SA0	M3*8	K2	SMK0000560CN	9/64*40*6
H22	SS0103100MZ0	M3*10	K3	SMK0000625CN	11/64*40*2.5
H23	SS0103100SD0	M3*10	K4	SMK0000635CN	11/64*40*3.5
H24	SS0103200SD0	M3*20	K5	SMK0000640CN	11/64*40*4
H25	SS0104050SD0	M4*5	K6	SMK0000650CN	11/64*40*5
H26	SS0104060MZ0	M4*6	K7	SMK0000A50CN	15/64*28*5
H27	SS0104060SD0	M4*6	K8	SMK0000AA0CN	15/64*28*10

# K.L.M.N.P

No.	Part No.	Remark	No.	Part No.	Remark
K	Slotted Set Screw		L35	SS8208100TN0	M8*10
K9	SMK0000AF0CN	15/64*28*15	L36	SS8208150TN0	M8*15
K10	SMK0000AH0CN	15/64*28*17			
K11	SMK0000B40CN	1/4*40*4			
K12	SMK0000B45CN	1/4*40*4.5			
K13	SMK0000B50CN	1/4*40*5			
K14	SMK0000B60CN	1/4*40*6			
K15	SMK0000B80CN	1/4*40*8	M	Hexagon Socket Head Button Screw	
K16	SMK0000CC0CN	9/32*28*12	M1	SS3203050SC0	M3*5
K17	SS8005060TN0	M5*6	M2	SS3204060SC0	M4*6
			M3	SS3205100SC0	M5*10
			M4	SS3205100SD0	M5*10
L	Hexagon Socket Head Set Screw				
L1	SMJ0000425CN	1/8*44*2.5			
L2	SMJ0000690CN	11/64*28*9	N	Screw with Washer	
L3	SMJ0000640CN	11/64*40*4	N1	SSA003080000	M3*8
L4	SMJ0000660CN	11/64*40*6	N2	SSA003150000	M3*15
L5	SMJ0000680CN	11/64*40*8	N3	SSA003160000	M3*16
L6	SMJ0000A40CN	15/64*28*4	N4	SSA003180000	M3*18
L7	SMJ0000A90CN	15/64*28*9	N5	SSA004080000	M4*8
L8	SS8203020TN0	M3*2	N6	SSA004100000	M4*10
L9	SS8203030TN0	M3*3	N7	SSA004550000	M4*55
L10	SS8203040TN0	M3*4	N8	SSA005100000	M5*10
L11	SS8203050TN0	M3*5	N9	SSA005120000	M5*12
L12	SS8203060TN0	M3*6	N10	SSA005140000	M5*14
L13	SS8203080TN0	M3*8	N11	SSA005180000	M5*18
L14	SS8204030TN0	M4*3			
L15	SS8204040TN0	M4*4			
L16	SS8204050TN0	M4*5			
L17	SS8204060TN0	M4*6			
L18	SS8204060TN1	M4*6			
L19	SS8204080TN0	M4*8	P	Nut	
L20	SS8204100TN0	M4*10	P1	SMN046030CN0	1/8*44*6*3
L21	SS8204120TN0	M4*12	P2	SMN056020CL0	9/64*40*6*2
L22	SS8205040TN0	M5*4	P3	SMN056030CN0	9/64*40*6*3
L23	SS8205050TN0	M5*5	P4	SMN066020CN0	11/64*40*6*2
L24	SS8205060TN0	M5*6	P5	SMN066030CN0	11/64*40*6*3
L25	SS8205080TN0	M5*8	P6	SMN067030CN0	11/64*40*7*3
L26	SS8205100TN0	M5*10	P7	SMN167030CN0	11/64*40*7*3
L27	SS8205120TN0	M5*12	P8	SSN002SD0000	M2 Type 1
L28	SS8205150TN0	M5*15	P9	SSN073SD0000	M2.3 Type 1
L29	SS8206050TN0	M6*5	P10	SSN075MZ0000	M2.5 Type 1
L30	SS8206060TN0	M6*6	P11	SSN003MZ0000	M3 Type 1
L31	SS8206080TN0	M6*8	P12	SSN003SC0000	M3 Type 1
L32	SS8206100TN0	M6*10	P13	SSN003SD0000	M3 Type 1
L33	SS8206180TN0	M6*18	P14	SSN403SD0000	M3 Thumbscrew Type 2
L34	SS8208080TN0	M8*8	P15	SSN203SC0000	M3 Type 3

# P.R

No.	Part No.	Remark	No.	Part No.	Remark
P	Nut		R17	WSP04A008SD0	Plain M4*10*0.8t
P16	SSN203SD0000	M3 Type 3	R18	WSP04C010SC0	Plain M4*12*1t
P17	SSN285SC0000	M3.5 Type 3	R19	WSP05A008SC0	Plain M5*10*0.8t
P18	SSN004SC0000	M4 Type 1	R20	WSP05A008SD0	Plain M5*10*0.8t
P19	SSN004SD0000	M4 Type 1	R21	WSP05C008SC0	Plain M5*12*0.8t
P20	SSN204SC0000	M4 Type 3	R22	WSP05C008SD0	Plain M5*12*0.8t
P21	SSN204SD0000	M4 Type 3	R23	WSP06D010SC0	Plain M6*13*1.0t
P22	SSN005SC0000	M5 Type 1	R24	WSP06D010SD0	Plain M6*13*1.0t
P23	SSN005SD0000	M5 Type 1	R25	WSP06G010SC0	Plain M6*16*1.0t
P24	SSN205SC0000	M5 Type 3	R26	WSP08G012SD0	Plain M8*16*1.2t
P25	SSN205SD0000	M5 Type 3	R27	WSP08J016SC0	Plain M8*18*1.6t
P26	SSN605SD0000	M5 Cap Screw	R28	WSP08J016SD0	Plain M8*18*1.6t
P27	SSN006SC0000	M6 Type 1	R29	WSP08J032SC0	Plain M8*18*3.2t
P28	SSN006SC1000	M6 Type 1(Left)	R30	WSP08N032SC0	Plain M8*22*3.2t
P29	SSN006SD0000	M6 Type 1	R31	WSP10S032SC0	Plain M10*26*3.2t
P30	SSN006SD1000	M6 Type 1(Left)	R32	WSP12L520SC0	Plain M12*20.5*2t
P31	SSN206SC0000	M6 Type 3	R33	WSS020000KD0	Spring M2
P32	SSN008SC0000	M8 Type 1	R34	WSS760000KC0	Spring M2.6
P33	SSN008SD0000	M8 Type 1	R35	WSS030000KC0	Spring M3
P34	SSN208SC0000	M8 Type 3	R36	WSS030000KD0	Spring M3
P35	SSN208SD0000	M8 Type 3	R37	WSS850000KC0	Spring M3.5
P36	SSN010SC0000	M10 Type 1	R38	WSS040000KC0	Spring M4
P37	SSN710CD0000	M10 with Flange	R39	WSS040000KD0	Spring M4
P38	SSN710SC0000	M10 with Flange	R40	WSS050000KC0	Spring M5
P39	SSN012SC0000	M12 Type 1	R41	WSS050000KD0	Spring M5
P40	SSN212SC0000	M12 Type 3	R42	WSS060000KC0	Spring M6
P41	SSN216SC0000	M16 Type 3	R43	WSS060000KD0	Spring M6
P42	SSN020SC0000	M20 Type 1	R44	WSS080000KC0	Spring M8
			R45	WSS080000KD0	Spring M8
			R46	WSS100000KC0	Spring M10
			R47	WSS120000KC0	Spring M12
			R48	WSW06B003TP0	Wave M4
			R49	WSW06A503TN0	Wave M6
R	Washer		R50	WSL048505TP0	With teeth M4
R1	WSP640303MZ0	Plain M1.4*3*0.3t	R51	WSL05A006TP0	With teeth M5
R2	WSP023505XZ0	Plain M2*3.5*0.5t	R52	WSN080000SC0	Slant M8
R3	WSP767505XB0	Plain M2.6*7.5*0.5t	R53	WSC048005SC0	Disk Spring M4
R4	WSP036003XZ0	Plain M3*6*0.3t			
R5	WSP036005SC0	Plain M3*6*0.5t			
R6	WSP037005SD0	Plain M3*7*0.5t			
R7	WSP038003SD0	Plain M3*8*0.3t			
R8	WSP038005MZ0	Plain M3*8*0.5t			
R9	WSP038005SC0	Plain M3*8*0.5t			
R10	WSP038005SD0	Plain M3*8*0.5t			
R11	WSP038100SD0	Plain M3*8*1t			
R12	WSP048005SC0	Plain M4*8*0.5t			
R13	WSP048005SD0	Plain M4*8*0.5t			
R14	WSP048008SC0	Plain M4*8*0.8t			
R15	WSP048008SD0	Plain M4*8*0.8t			
R16	WSP04A008SC0	Plain M4*10*0.8t			