

PARTS LIST

TME-DC [II]

Table of Contents

- TME-DC GENERAL VIEW
- TME-DC FRAME..... CD-1
- TME-DC TABLE..... CD-2-1
- TME-DC AUTO SUB TABLE..... CD-2-2
- TME-DC MAIN SHAFT DRIVE SYSTEM..... CD-3
- TME-DC COLOR CHANGE SYSTEM..... CD-4
- TME-DC ARM 1..... CD-5-1
- TME-DC ARM 2..... CD-5-2
- TME-DC CYLINDER BED..... CD-6
- TME-DC NEEDLE BAR CASE 1..... CD-7-1
- TME-DC NEEDLE BAR CASE 2..... CD-7-2
- TME-DC FRONT COVER..... CD-8
- TME-DC KNIFE DRIVE SET..... CD-9
- TME-DC PICKER..... CD-10
- TME-DC UPPER THREAD HOLDER SET..... CD-11
- TME-DC CAM DRIVE SYSTEM SET..... CD-12
- TME-DC X-AXIS DRIVE SYSTEM 1..... CD-13-1
- TME-DC X-AXIS DRIVE SYSTEM 2..... CD-13-2
- TME-DC Y-AXIS DRIVE SYSTEM 1..... CD-14-1
- TME-DC Y-AXIS DRIVE SYSTEM 2..... CD-14-2
- TME-DC INDIVIDUAL TENSION BASE..... CD-15
- TME-DC THREAD STAND..... CD-16
- TME-DC COMMON USE BASE SASH..... CD-17
- TME-DC EMBROIDERY FRAME..... CD-18
- TME-DC POWER SUPPLY BOX..... CD-19
- TME-DC DRIVER BOX..... CD-20
- TME-DC CONTROLLER BOX..... CD-21
- TME-DC MAIN SHAFT MOTOR ASSEMBLY..... CD-22

Part Nos. of screws, nuts, washers etc. are listed at the end of volume.

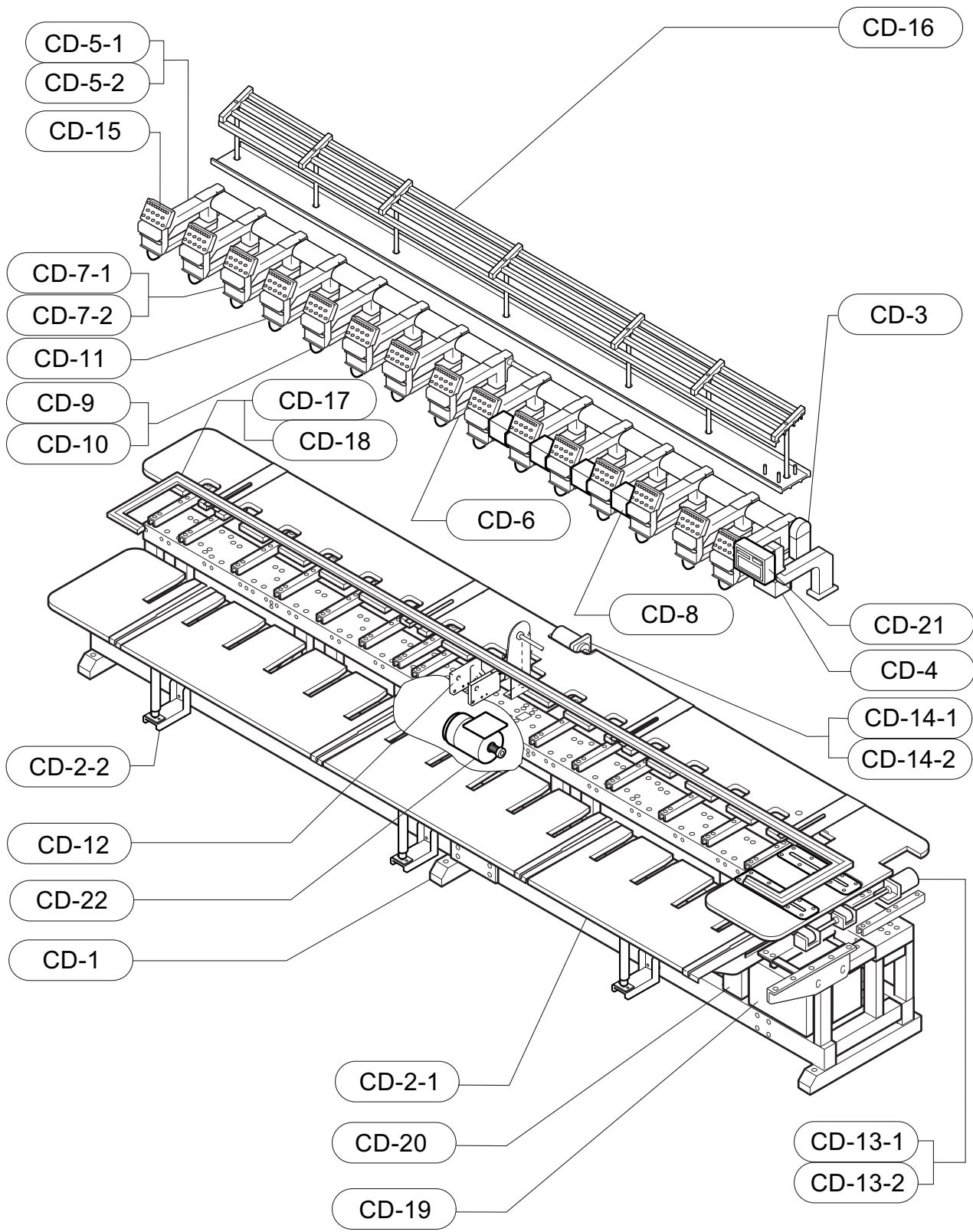
[Explanation of Marks #'s and *'s at End of Part No]

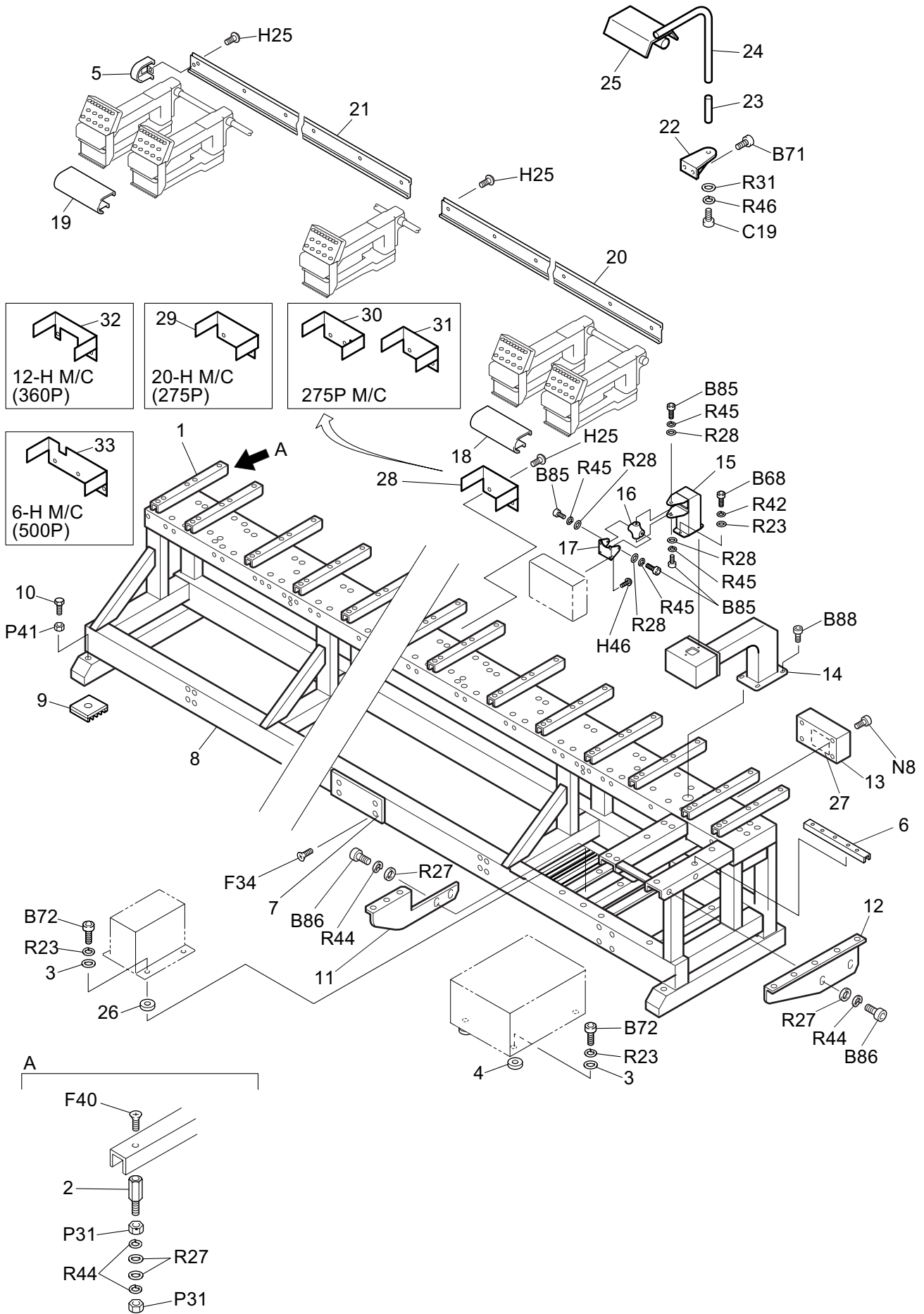
Please specify, in the following manner, your machine model, manufacturing number and embroidery space when you order us with the parts having **** at the end of the part No.:

Ex.	TMFD-612	(450×275)S	No.01234
	[Model]	[Emb. Space]	[Mfg. No.]

Please specify the number of needles on your machine's head in your parts order by changing the marks ##### into one of the 4-digit numbers below:

Ex.	The part Number, EF012345####	
	4-digit Numbers	Machine Type
	0300.....	3-needle machine
	0600.....	6-needle machine
	0900.....	9-needle machine
	1200.....	12-needle machine





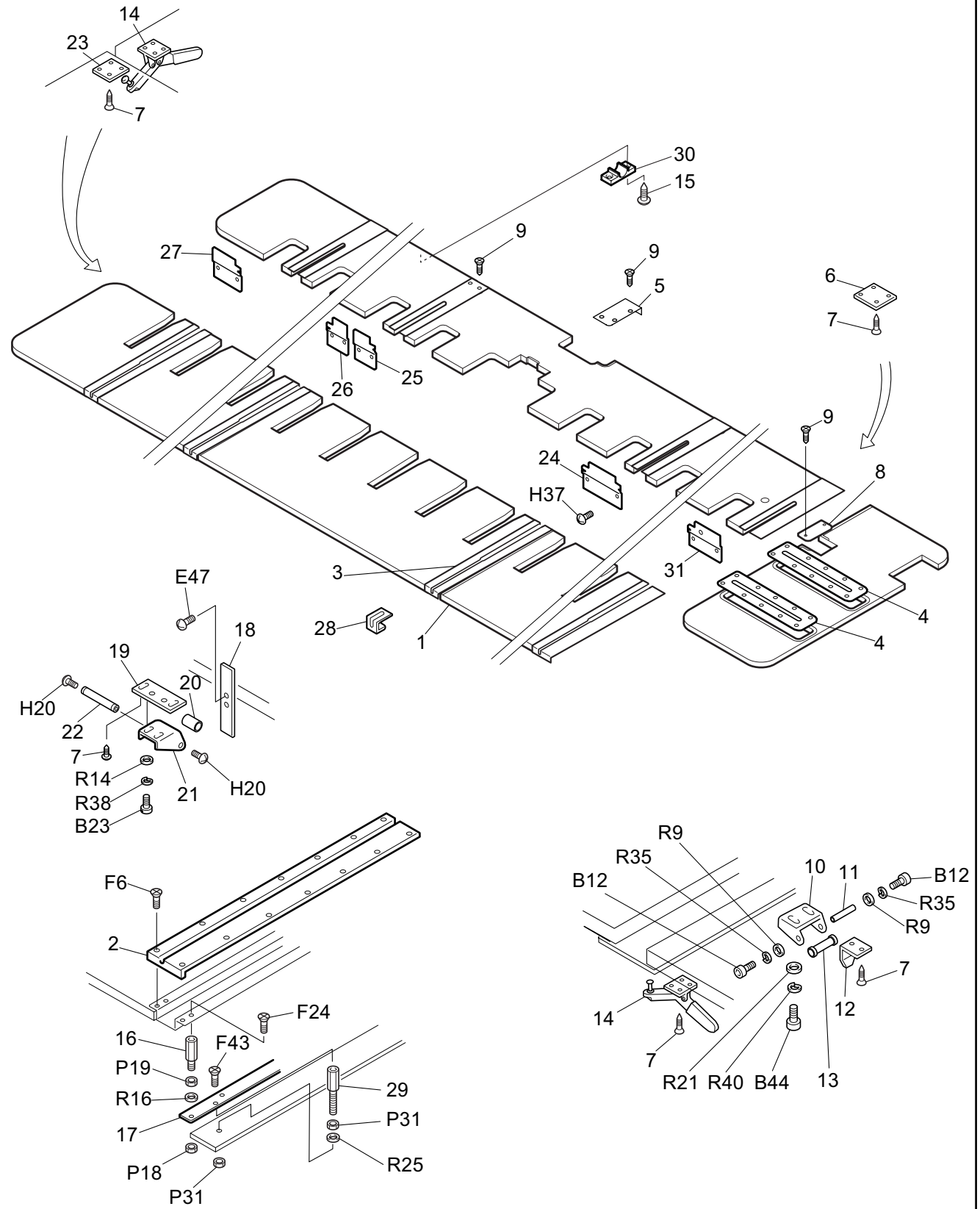
TME-DC FRAME

CD-1

Ref.No.	Description	Part No.	Remark
1	No.1 Table Support	CD0A25000000	
1	No.6 Table Support	CD0A11000000	275P M/C
1	No.4 Table Support L	CD0A10L00000	275P M/C
1	No.4 Table Support R	CD0A10R00000	275P M/C
2	Table Support Stud	CD0A62000000	
2	Table Support Stud	CD0A52000000	275P M/C, partially used
3	Vibration-preventive Rubber B	EF0833B00000	
4	Vibration-preventive Rubber A	EF0833A00000	
5	Upper Shaft Side Cover	CD0A21010000	
6	No.5 Table Support	CD0A5300****	
7	Model Name Plate	CT0825010000	
8	Stand	CD0A0103****	
9	Vibration-preventive Base	EF0810000000	
10	Adjusting Bolt	ME0819000000	
11	No.3 Table Support	CD0A27000000	
12	No.2 Table Support	CD0A26000000	
13	TC Joint Box	MD7201020000	
14	Change Attaching Bracket	CD0D0200####	
15	Controller Pipe	CD0A06020000	
16	Cross Joint	CX08150A0000	
17	Operation Panel Attaching Arm	EG01040A0000	
18	Shaft Cover A	CD0A20A0****	
19	Shaft Cover C	CD0A20C0****	
20	Cover Base A	CD0A19A0****	
21	Cover Base B	CD0A19B0****	
22	Fluorescent Lamp Pipe Base	ME08100A0000	
23	Fluorescent Lamp Pipe Support	EF0813000000	
24	Fluorescent Lamp Stand Pipe	EF08120A0000	
25	Fluorescent Lamp	EF7401D00000	2-lamp type
25	Fluorescent Lamp	EF7401E00000	1-lamp type
25	Fluorescent Lamp	EF7401F00000	3-lamp type
25	Fluorescent Lamp	EF7401J00000	4-lamp type
25	Fluorescent Lamp	MD7401C00000	2-lamp type(Export)
25	Fluorescent Lamp	MD7401D00000	1-lamp type(Export)
25	Fluorescent Lamp	MD7401E00000	3-lamp type(Export)
25	Fluorescent Lamp	MD7401H00000	4-lamp type(Export)
26	Vibration-preventive Rubber C	FH0833000000	
27	TC Joint 4 Card	ED7201000000	
28	Stand Rear Cover A	CD0A48A0****	
29	Stand Rear Cover E	CD0A48E2****	20-H M/C (275P)
30	Stand Rear Cover D	CD0A48D0****	275P M/C
31	Stand Rear Cover F	CD0A48F1****	275P M/C
32	Stand Rear Cover B	CD0A48B1****	12-H M/C (360P)
33	Stand Rear Cover K	CD0A48K0****	6-H M/C (500P)
34			
35			
36			
37			
38			
39			

Note: As for parts with marks # or *, please follow our instructions on Table of Contents in your parts order.

(CG02)



TME-DC TABLE

CD-2-1

Ref.No.	Description	Part No.	Remark
1	Table	CD0A0204****	
2	No.1 Table Lid A	CD0A07A10000	
3	No.1 Table Lid B	CD0A07B10000	
4	No.2 Table Lid	CD0A0800****	
5	Joint Cover	ED0815000000	
6	Table Joint Plate	TC0217000000	
7	Round Head Wood Screw	ZZ410420CC00	4.5P*20
8	Table Lid C	CD0A07C00000	
9	Countersunk Head Wood Screw	ZZ110316SD00	3.1P*16
10	Bearing Case	FC0733000000	
11	Roller Pin	FC0735000000	
12	Anti-vibration Plate	XC0526000000	
13	Roller	FC0734000000	
14	Toggle Clamp	BPGY10010000	
15	Round Head Wood Screw	ZZ410525CC00	5.1P*25
16	Reinforcing Stud	CD0B21000000	
17	Table Patch Plate	CD0A30020000	
18	Table Guide Plate	CD0A31010000	
19	Distortion Preventive Base	CD0A64000000	
20	Roller	EF0722000000	
21	Bearing Case	EF0720020000	
22	Roller Pin	EF0723010000	
23	Clamp Rivet Plate	CM0816000000	
24	Stand Front Cover B	CD0A29B3****	
25	Stand Front Cover C	CD0A29C2****	
26	Stand Front Cover D	CD0A29D3****	
27	Stand Front Cover E	CD0A29E2****	
28	Bearing Stopper	FC084100003T	Right side
28	Bearing Stopper	FC084100006T	
29	Patch Plate Stud	CD0A49000000	
30	Driver Shaft Stopper	ED0704000000	For 15mm dia.shaft
31	Stand Front Cover A	CD0A29A4****	
32			
33			
34			
35			
36			
37			
38			
39			
40			
41			
42			
43			
44			
45			
46			
47			
48			
49			

Note: As for parts with marks # or *, please follow our instructions on Table of Contents in your parts order.

(CG02)

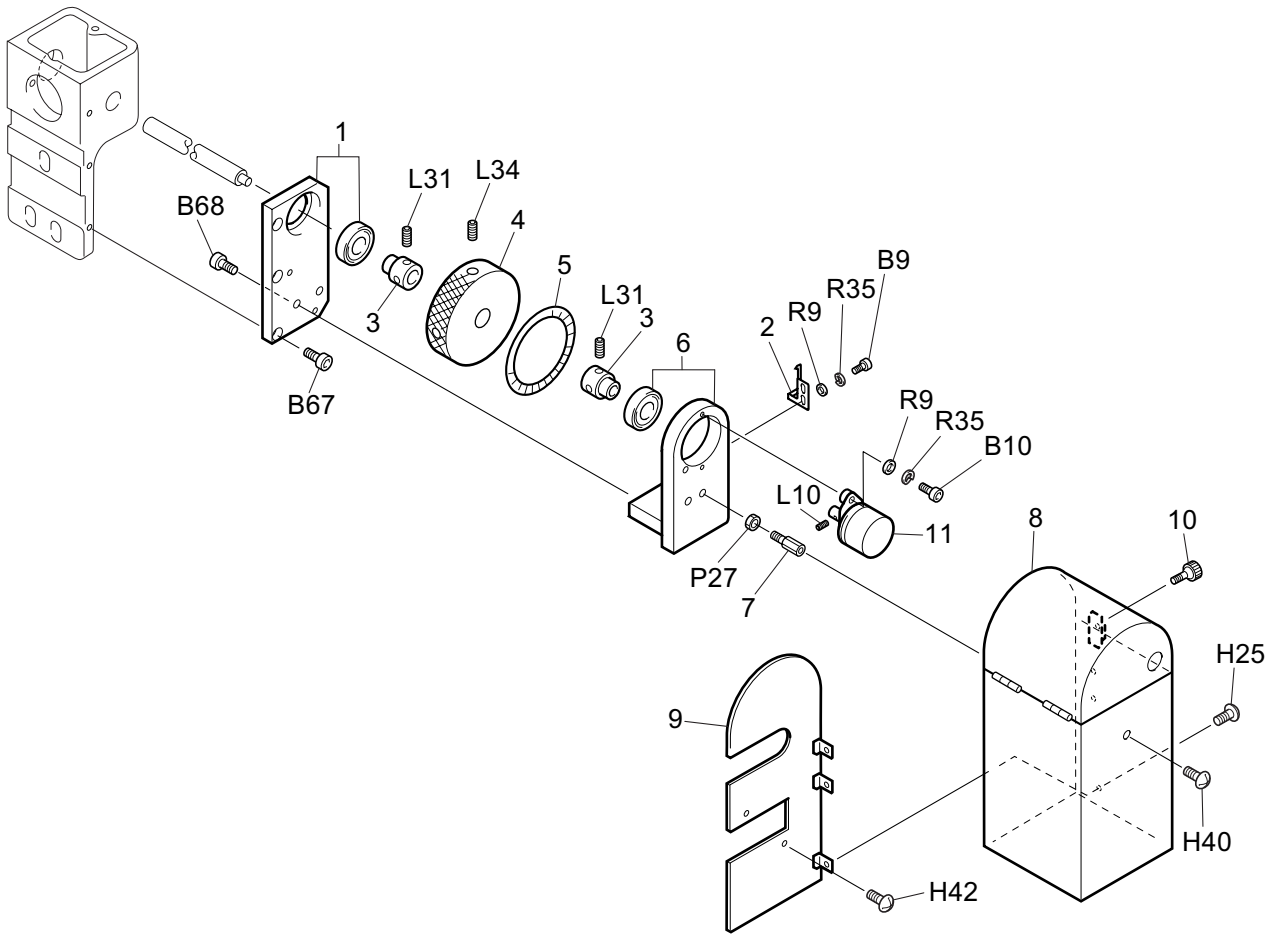
TME-DC AUTO SUB TABLE

CD-2-2

Ref.No.	Description	Part No.	Remark
1	Table Attaching Base	CD0A0301****	
1	Table Attaching Base	CD0A03020000	18-H M/C (275P)
2	Front Table Holder Bolt	FC0530000000	
3	Round Head Wood Screw	ZZ410525CC00	5.1P*25
4	Cylinder Support C	HC0851CA0000	
5	Pipe Clamp	XC05080A0000	
6	Hydraulic Cylinder	BP1312020000	
7	Bolt Cover	XC0525000000	
8	Cylinder Adjusting Bolt	XC05040A0000	
9	Cylinder Holder A	CD0A15A00000	
10	HD Pipe	BPMO46251000	4-cylinder type
10	HD Pipe	BPMO66251000	6-cylinder type
11	Connecting Screw	BP1315080000	
12	Clamping Ring	BP1315100000	
13	Cylinder Joint R	CD0A18R00000	
14	Limit Switch	PB001000SP00	
15	Actuator	MS6602000000	
16	Cylinder Support D	HC0851DA0000	
17	Pump	BP1312010000	4-cylinder type
17	Pump	BP1312030000	6-cylinder type
18	Cylinder Support A	HC0851AA0000	
19	Table Spacer	CD0A24000000	
20	Cylinder Joint L	CD0A18L00000	
21	Cylinder Support B	HC0851BA0000	
22	Auto Sub Table Motor Unit	CD7800000000	
23	Pump Cover	DC0862000000	
24	Limit Switch Plate (UP)	DC0864B00000	
25	Limit Switch Plate (DOWN)	DC0863A00000	
26	Pump Attaching Bracket	DC0865000000	
27	Push Insert	DC0866000000	
28	Special Screw	DC0867000000	
29	Hexagon Nut	DC0868000000	
30			
31			
32			
33			
34			
35			
36			
37			
38			
39			
40			
41			
42			
43			
44			
45			
46			
47			

Note: As for parts with marks # or *, please follow our instructions on Table of Contents in your parts order.

(CG02)



TME-DC MAIN SHAFT DRIVE SYSTEM

CD-3

Ref.No.	Description	Part No.	Remark
1	Bearing Case Plate	CD0A43010000	
2	Angle Pointer	CD0A33020000	
3	Bearing Bushing	ME0203000000	
4	Angle Indicator Plate Pulley	CD0A35000000	
5	Angle Indicator Plate	CD0A36030000	
6	Bearing Case Arm	CD0A32000000	
7	Pulley Cover Stud	ME0205000000	
8	Angle Indicator Plate Cover A	CD0A40A10000	
9	Angle Indicator Plate Cover B	CD0A40B10000	
10	Cover Fixing Knurled Screw	EF0306000000	
11	Rotary Encoder	EF6600A00000	
12			
13			
14			
15			
16			
17			
18			
19			
20			
21			
22			
23			
24			
25			
26			
27			
28			
29			
30			
31			
32			
33			
34			
35			
36			
37			
38			
39			
40			
41			
42			
43			
44			
45			
46			
47			
48			
49			
50			

Note: As for parts with marks # or *, please follow our instructions on Table of Contents in your parts order.

(CG02)

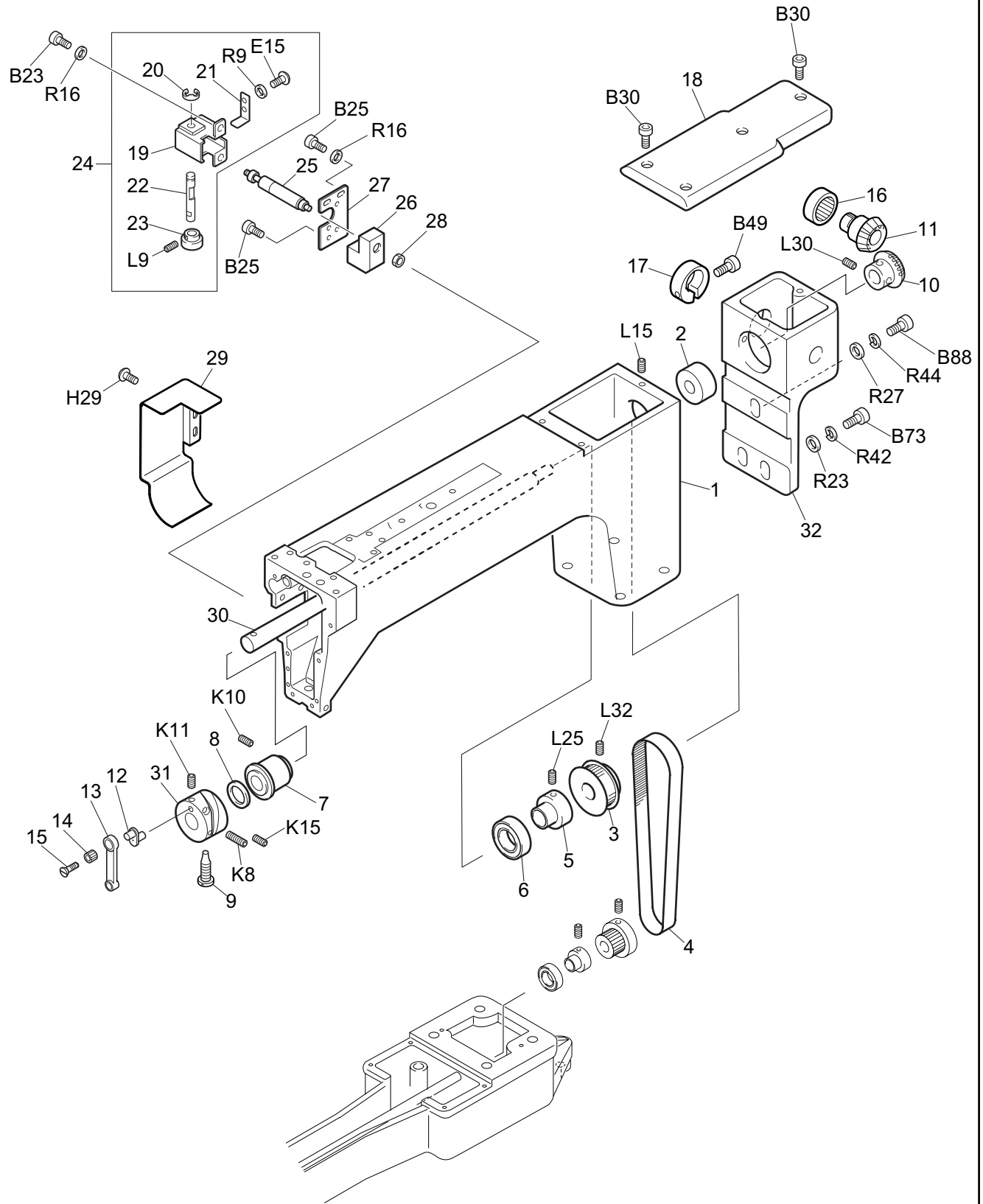
TME-DC COLOR CHANGE SYSTEM

CD-4

Ref.No.	Description	Part No.	Remark
1	Change Cover Stud	MS0414000000	
2	Rotary Switch Gear	MS0408000000	
3	Half-turn Gear Bushing	EF0415000000	
4	8mm Dia. Collar	EF0418000000	
5	Rotary Switch Pin	MS0407000000	
6	Rotary Switch	MS7102010000	
7	Rotary Switch Stay	MS0409000000	
8	Motor Gear	EF0410000000	
9	Coated Clip	PB002200EB00	
10	Cam Shaft	MS040200####	
11	Dry Bearing	BPMB1010DU00	
12	Middle Gear B	MS0411000000	
13	Middle Shaft	FX040200####	
14	10mm Dia. Collar	EF0924000000	
15	Cam Shaft Bushing	EF0407000000	
16	Middle Gear A	MS0410000000	
17	Color Change Cam Set	EF040501####	
18	Half-turn Gear	EF0414000000	
19	Cam Roller Set	EF0404S00000	
20	Cam Pin	EF0403000000	
21	Cam Roller	EF0404000000	
22	E-ring	PBE300000000	
23	Slide Boss	EF0402010000	
24	Slide Bearing	BPLME1222322	
25	Belt Joint Plate	EF0429000000	
26	Needle Position Indicating Belt	EF042610####	
27	Base Split Collar	EF0430000000	
28	Roller Base	EF0427000000	
29	Roller	EF0425000000	
30	Roller Pin	EF0428000000	
31	Guide Shaft	EF040800####	
32	Color Change Motor	EG7101003R15	
33	Photo-interrupter	EG7102000000	
34	Change Cover	MC04010A0000	
35	Photo-interrupter Base	EG0402000000	
36	One-rotation Switch Collar	EG0401010000	
37	Wiring Duct Bracket	EH09050A0000	
38	Change Bracket Lid	CD04030A0000	
39	Color Change Box	CD0D0100****	
40	Change Box Attaching Bracket	CD0D0201####	
41	Slide Shaft	CD0D0300####	
42	Bracket Spacer	CD0D0400####	
43	Color Change Cam Set	EF0405011200	12-Needle
44	Gear Head	EG7101003G09	
45	Cam Shaft Bushing B	FX0403000000	
46	Model Name Plate	CD0D0500****	
47			
48			
49			
50			

Note: As for parts with marks # or *, please follow our instructions on Table of Contents in your parts order.

(CG02)



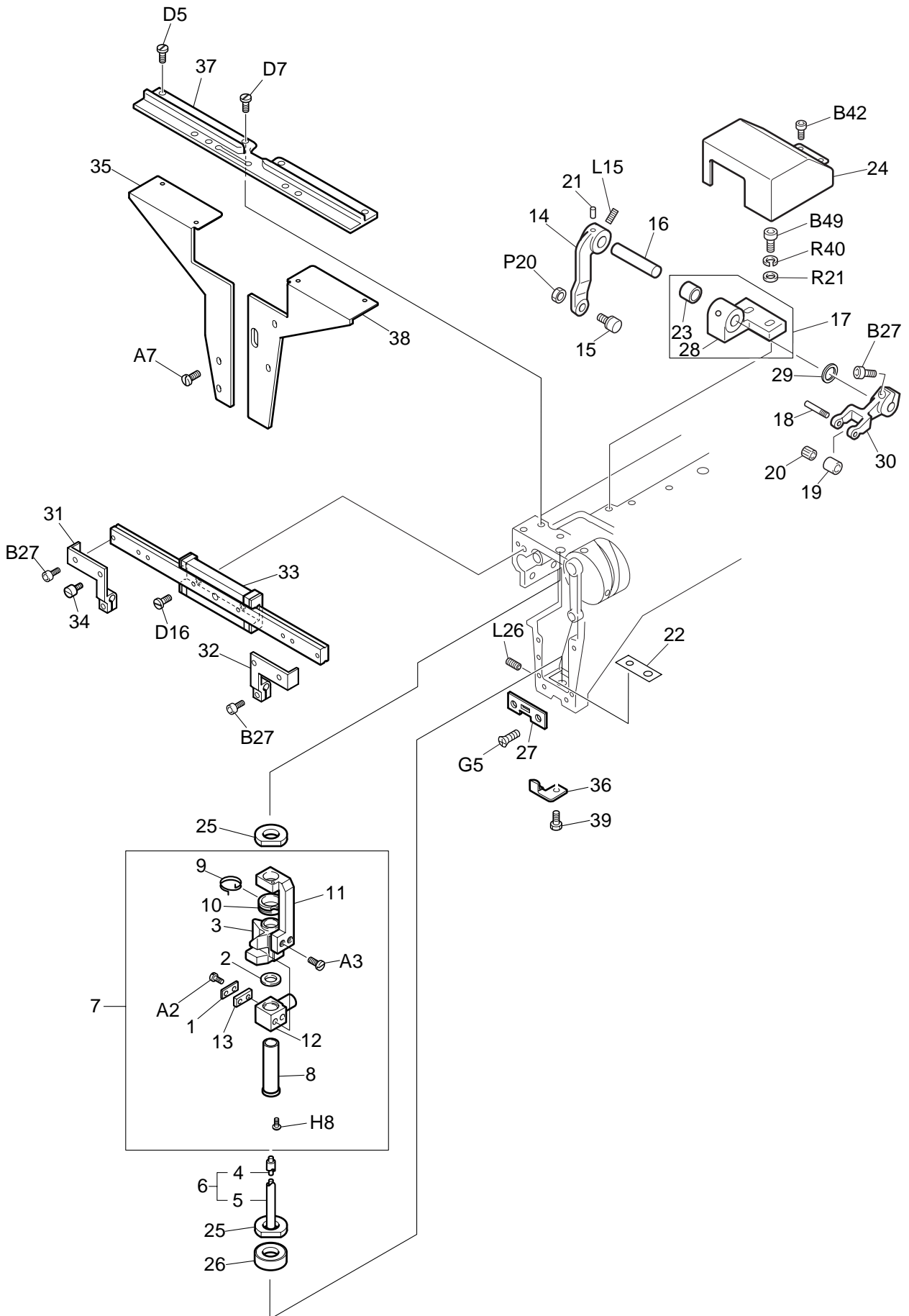
TME-DC ARM 1

CD-5-1

Ref.No.	Description	Part No.	Remark
1	Arm	EC0A01000000	
2	Upper Shaft Bushing, Rear	EC0A37000000	
3	Upper Shaft Pulley	EC0A40010000	
4	Timing Belt	BP150S5M525G	
5	Bearing Collar B	EC0A45000000	
6	Ball Bearing	BP6004ZZ0000	
7	Upper Shaft Bushing, Front	ME0523000000	
8	Quenched Spacer	ME0525000000	
9	Cam Set Screw	ME0560000000	
10	Upper Shaft Bevel Gear B	ME0550000000	
11	Upper Shaft Drive Bevel Gear	ME0551000000	
12	90-degree Crank	ME0571000000	
13	Connecting Rod	ME0528020000	
14	Needle Cage	BPN79A048000	
15	Right Countersunk Head Screw	ME0572000000	
16	Needle Bearing	BPHK25120000	
17	Gear Stopper Split Collar	ME0552000000	
18	Arm Top Cover	CD0E04020000	
19	Solenoid Cover	ME05430A0000	
20	E-ring	BPE500000000	
21	Stopper Plate Spring	ME0544000000	
22	Clutch Pin	EF0540000000	
23	Clutch Knurled Screw	EF0539000000	
24	Solenoid Cover Set	UN25006AME00	
25	Jump Solenoid	EG6801020000	
26	Solenoid Bracket	CD0E06000000	
27	Bracket Base	CD0E05000000	
28	Hexagon Nut	EG0548000000	
29	Arm Side Cover	EC0A24010000	
30	Upper Shaft	CD0E02010000	
31	Take-up Lever Drive Cam	EC0A47010000	
32	Shaft Holder Box A	CD0E01A10000	
32	Shaft Holder Box B	CD0E01B10000	Main Shaft Motor, Left, 1st H
32	Shaft Holder Box C	CD0E01C10000	Main Shaft Motor, Right
33			
34			
35			
36			
37			
38			
39			
40			
41			
42			
43			
44			
45			
46			
47			
48			

Note: As for parts with marks # or *, please follow our instructions on Table of Contents in your parts order.

(CG02)



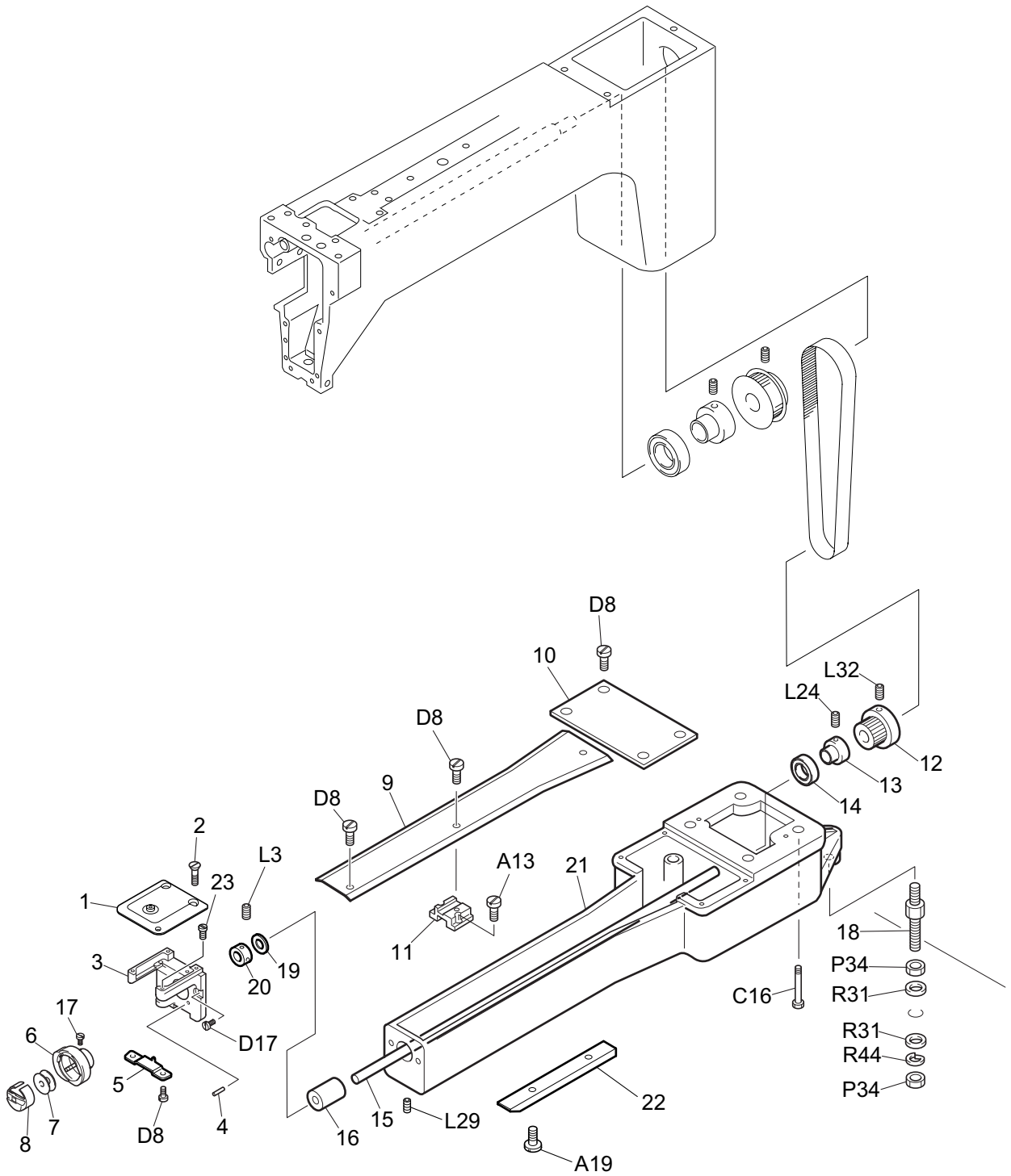
TME-DC ARM 2

CD-5-2

Ref.No	Description	Part No.	Remark
1	Stopper Bracket	EF0534000000	
2	Needle Bar Reciprocator Spacer	EF0554000000	
3	Needle Bar Reciprocator	EF0532020000	
4	Needle Bar Drive Shaft Wick	EG0536000000	
5	Needle Bar Drive Shaft	FX0522020000	
6	Needle Bar Drive Shaft Set	FX0522S20000	
7	Needle Bar Reciprocator (Set)	UN2502400000	Separate ME type
8	Needle Bar Drive Shaft Bushing	ME0566000000	
9	Jump Spring	FX0516000000	
10	Spring Cradle	FX0564000000	
11	Connecting Arm	ME0565000000	
12	Reciprocator Connecting Stud	ME0564010000	
13	Stopper	EF0561010000	
14	Take-up Lever Drive Lever	EC0A46000000	
15	Cam Roller Set	ME0534S00000	
16	Take-up Lever Arm Pin	ME0535000000	
17	Take-up Lever Bearing Case(with Bushing)	EC0A36000000	
18	Roller Pin	CL0577000000	
19	8mm Dia. Roller	CL0578000000	
20	Needle Cage	BPKT367N0000	
21	Taper Pin	BPTP03150000	3P*15
22	Oil Fencing Felt	EC0A54000000	
23	Bearing Case Bushing	EC0A52000000	
24	Take-up Lever Drive Gear Cover	CD0E11010000	
25	Needle Bar Drive Shaft Felt A	FX0561010000	
26	Bearing Case Collar	ME0555000000	
27	Arm Guide Plate	EC0A53000000	
28	Take-up Lever Bearing Case	EC0A36100000	
29	Adjusting Washer A	EC0A56A00000	0.2mm Thick
29	Adjusting Washer B	EC0A56B00000	0.3mm Thick
30	Take-up Lever Drive Lever B	EC0A48010000	
31	Color Change Bracket L	CD0E17L00000	
32	Color Change Bracket R	CD0E17R00000	
33	Case Linear	CD0E1800####	3P*12
34	Pin No.714	CD0E16000000	
35	Front Cover L	CD0E19L00000	
36	Positioning Plate	EC0A14000000	
37	Take-up Lever Guide Rail	CD0E0300####	
38	Front Cover R	CD0E19R0####	
39	Hexagon Socket Head Cap Screw	EG0219000000	
40			
41			
42			
43			
44			
45			
46			
47			
48			
49			

Note: As for parts with marks # or *, please follow our instructions on Table of Contents in your parts order.

(CG03)



TME-DC CYLINDER BED

CD-6

Ref.No.	Description	Part No.	Remark
1	Needle Plate	FC0A01000000	
2	Round Countersunk Head Screw	EG0228000000	
3	Needle Plate Bracket	FCC202040000	
4	Spring Pin	BPSP03150000	3P*15
5	Rotary Hook Support	FC0224000000	
6	Rotary Hook	ME0505E2****	
7	Bobbin	ME050402****	
8	Bobbin Case	ME050300****	
9	Bed Cover B	EC0A05000000	
10	Bed Cover A	EC0C09000000	
11	Bed Cover Stud A	EC0C02000000	
12	Lower Shaft Pulley	EC0C12010000	
13	Bearing Collar A	EC0C11000000	
14	Ball Bearing	BP6201ZZ0000	
15	Lower Shaft	EC0C13000000	
16	Rotary Hook Shaft Bushing B	EF0206B00000	
17	Rotary Hook Set Screw	ME0506000000	
18	Rotary Hook Base Stud	CD0A63000000	
19	Rotary Hook Shaft Spacer	EF0211000000	
20	7.94mm Dia. Collar	EF0209000000	
21	Arm Bed	EC0C15010000	
22	Bed Rail	EC0G11000000	
23	Positioning Pin	FC0231000000	
24			
25			
26			
27			
28			
29			
30			
31			
32			
33			
34			
35			
36			
37			
38			
39			
40			
41			
42			
43			
44			
45			
46			
47			
48			
49			
50			

Note: As for parts with marks # or *, please follow our instructions on Table of Contents in your parts order.

(CG02)

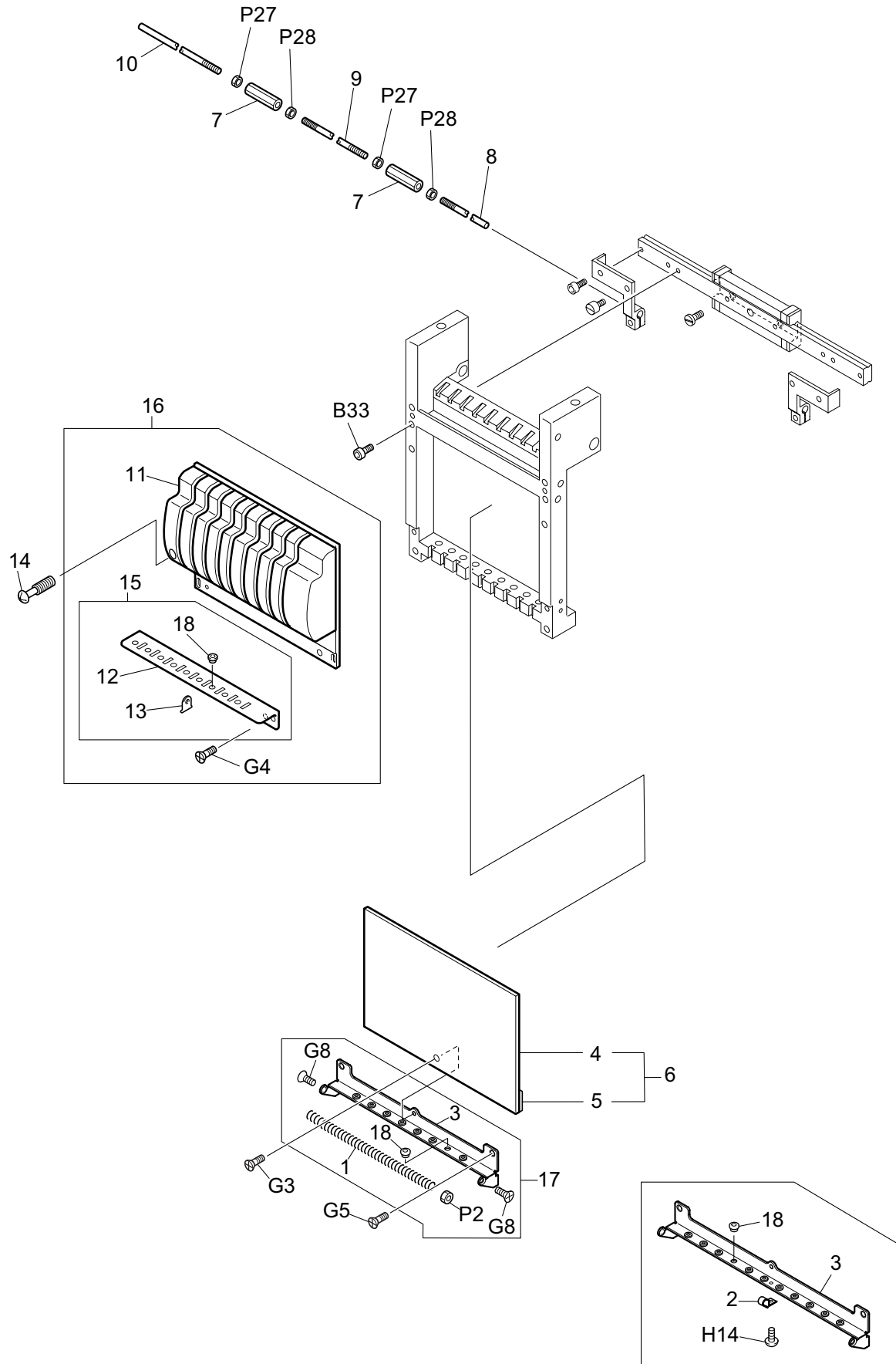
TME-DC NEEDLE BAR CASE 1

CD-7-1

Ref.No.	Description	Part No.	Remark
1	Needle Set Screw	EF0615000000	
2	Needle Clamp	EF0616010000	
3	Cushion Ring A	EF0642020000	
4	Presser Foot Set	EF0613030000	
5	Presser Foot	EF0613130000	
6	Presser Foot Bushing	EF0613220000	
7	Felt Packing	EF062300####	
8	Presser Foot Adjusting Rubber	EF0625A0****	0.5mm Thick
8	Presser Foot Adjusting Rubber	EF0625B0****	1.0mm Thick
9	Cushion Ring D	ME0602000000	
10	Presser Foot Spring C	ME0603000000	
11	Needle Bar Connecting Stud	FX0617000000	
12	Upper Dead Point Stopper	EF0617010000	
13	Flat Fillister Head Screw	EF0647000000	
14	Cushion Ring B	EF0643010000	
15	Cushion Rubber B	EF062700####	
16	Holder Spring Set Screw	EF0620000000	
17	Needle Bar	FX0632000000	
18	Needle Bar Holder Spring	ME0601020000	
19	Spring Shoe Washer	EF0619000000	
20	Needle Bar Case	CD0F0300####	
21	Needle Bar Guide Rail	FX063800####	
22	Take-up Lever Positioning Bushing	EF0606000000	
23	Take-up Lever Shaft	EF060200####	
24	Take-up Lever Adjusting Bushing	EF0605000000	
25	Case Rail, Lower	FX061200####	
26	Take-up Lever	FX0603010000	
27	Needle	EF0640000000	
28	Take-up Lever Boss	CL0611010000	
29	Thread Guide	MX0521000000	
30	Roller Type Take-up Lever Set	CL0611S10000	
31	Magnet Rubber	EF0635210300	
32	Parallel Pin	BPH70416L000	
33	Case Rail, Lower Linear	CD0F0200****	0.05,0.1,0.2mm thick
34			
35			
36			
37			
38			
39			
40			
41			
42			
43			
44			
45			
46			
47			
48			
49			

Note: As for parts with marks # or *, please follow our instructions on Table of Contents in your parts order.

(CG03)

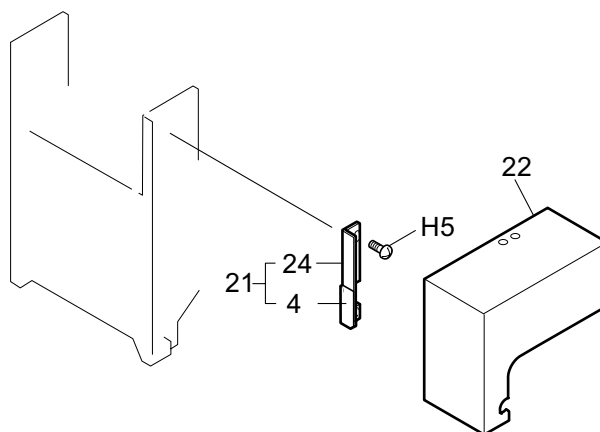
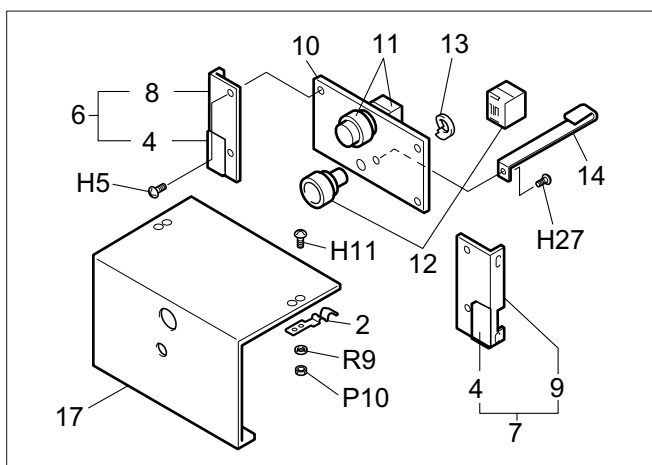
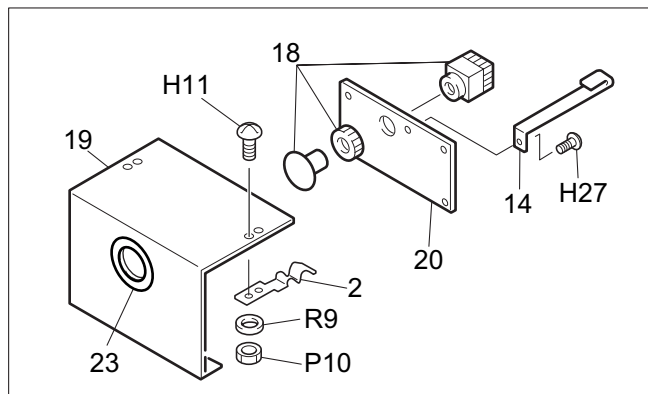
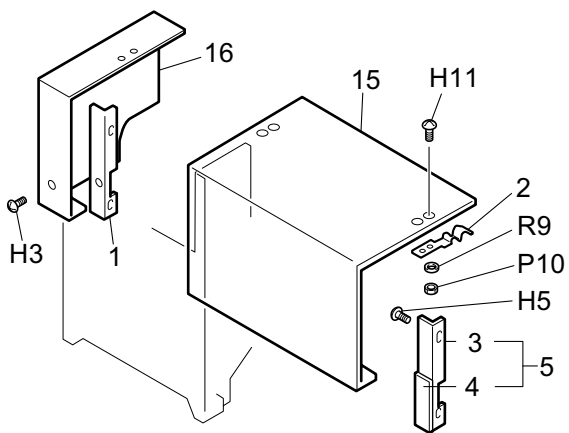


TME-DC NEEDLE BAR CASE 2

CD-7-2

Ref.No.	Description	Part No.	Remark
1	Thread Hook Spring	EF063102####	
1	Thread Hook Spring	FX0627031200	12-Needle
2	Spring Presser Bracket	FX0633010000	12-Needle
3	Lower Thread Guide	FX062602####	
4	Face Plate	EC060111####	
5	Magnet Rubber	FX062421####	
6	Face Plate Set	EC060101####	
7	M6 Joint	EF0827010000	
8	Slide Shaft A	ME0814A0****	
9	Slide Shaft B	ME0814B1****	
10	Slide Shaft C	ME0814C1****	
11	Top Cover	CX067100####	
12	Middle Thread Guide	CX067210####	
13	Thread Guide	MX0522000000	
14	Top Cover Attaching Screw	CX0675000000	
15	Middle Thread Guide Set	CX067200####	
16	Top Cover Set	UN260022****	
17	Lower Thread Guide Set	UN260060####	
18	Thread Guide	FX0626110000	
19			
20			
21			
22			
23			
24			
25			
26			
27			
28			
29			
30			
31			
32			
33			
34			
35			
36			
37			
38			
39			
40			
41			
42			
43			
44			
45			
46			
47			
48			
49			

Note: As for parts with marks # or *, please follow our instructions on Table of Contents in your parts order.



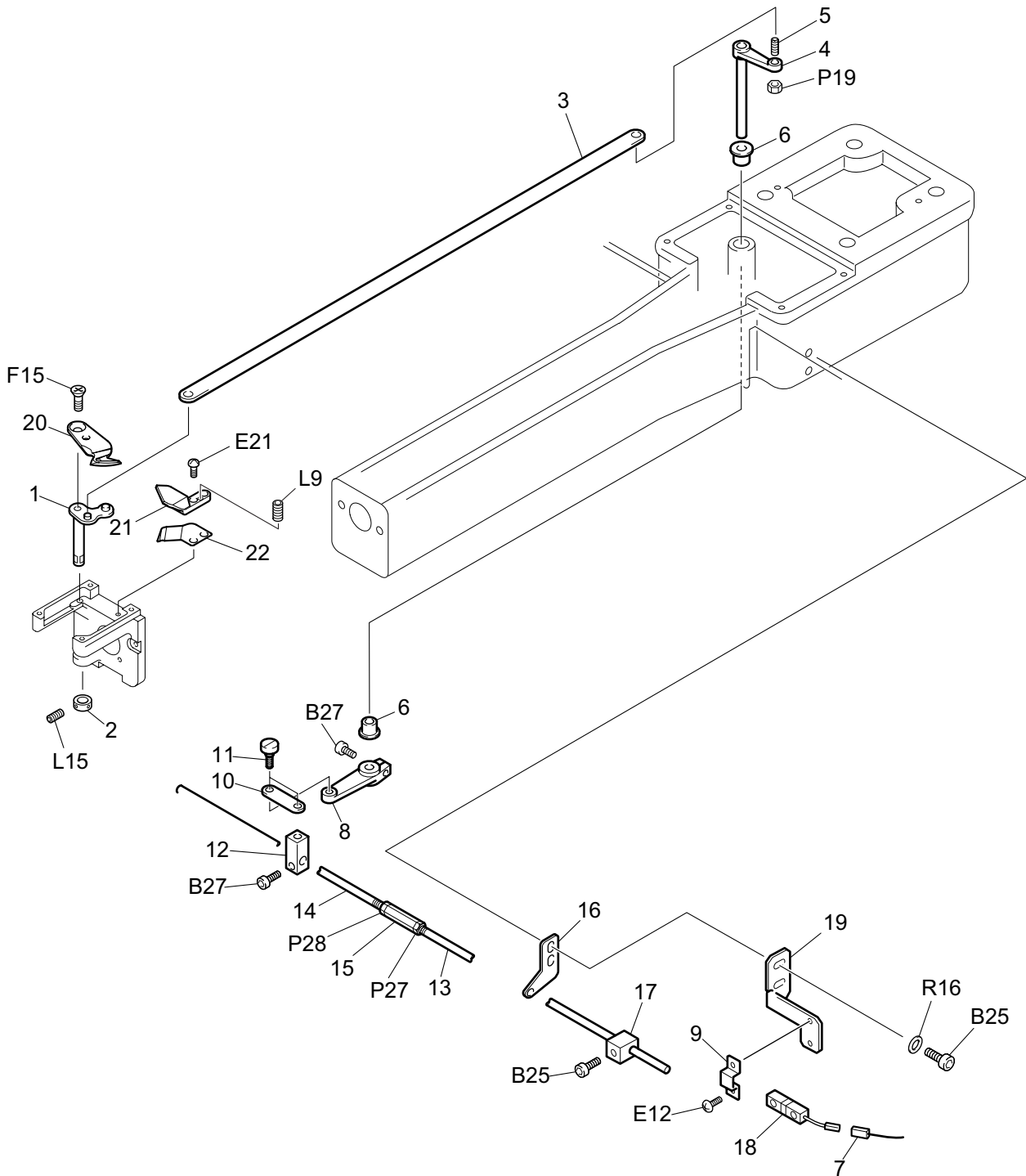
TME-DC FRONT COVER

CD-8

Ref.No.	Description	Part No.	Remark
1	Cover Attaching Bracket C	FX0637000000	
2	Cover Plate Spring	FX0805010000	
3	Cover Attaching Bracket	FXL627L00000	
4	Plate Magnet	FX0628200000	
5	Cover Attaching Bracket L	FX0637L00000	
6	Cover Attaching Bracket F Set	BX0812F00000	
7	Cover Attaching Bracket E Set	BX0812E00000	
8	Cover Attaching Bracket F	BXR812F00000	
9	Cover Attaching Bracket E	BXL812E00000	
10	Start Switch Base	BX080803****	
11	Start Switch	SC5803000000	
12	Stop Switch	SC5806000000	
13	Retaining Washer	BX0811000000	
14	Cord Clamp	BX0810000000	
15	Front Cover B	MX08160C****	
16	Front Cover C	MX08170C####	
17	Front Cover B	BX08090B****	
18	Push-button Switch	PB0019D0SP00	
19	Front Cover J	EN08690C****	
20	Emergency Stop Switch Base	EN089000****	
21	Cover Attaching Bracket R	FX0637R00000	
22	Front Cover A	MX0844000000	
23	Push-botton Switch Emergency Stop Plate	PB0019C0SP00	
24	Cover Attaching Bracket	FXR627R00000	
25			
26			
27			
28			
29			
30			
31			
32			
33			
34			
35			
36			
37			
38			
39			
40			
41			
42			
43			
44			
45			
46			
47			
48			
49			
50			

Note: As for parts with marks # or *, please follow our instructions on Table of Contents in your parts order.

(CG03)



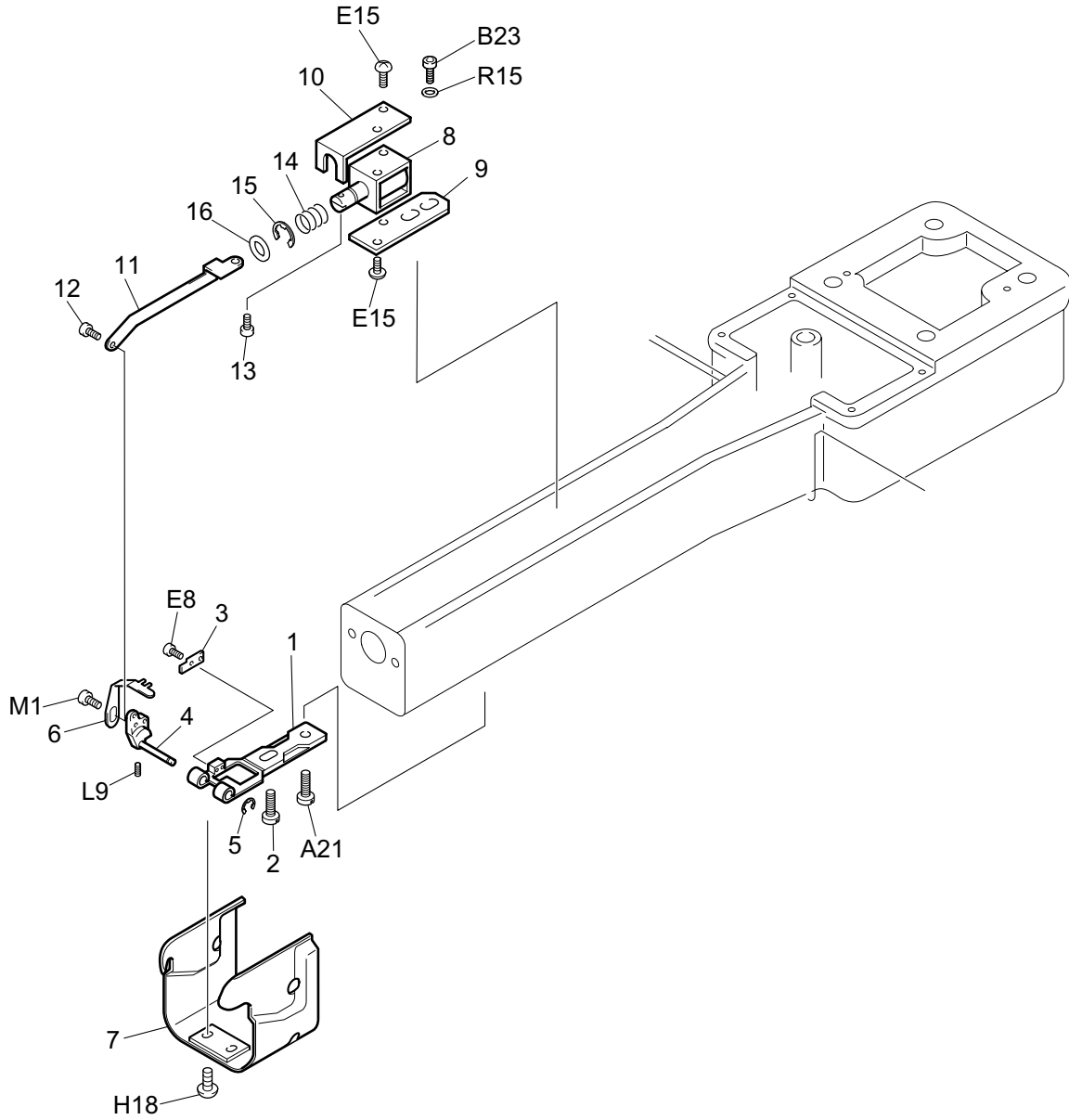
TME-DC KNIFE DRIVE SET

CD-9

Ref.No.	Description	Part No.	Remark
1	Movable Knife Drive Arm	FC0209020000	
2	5mm Dia. Collar	FC0223000000	
3	Knife Connecting Plate	EC0C01000000	
4	Thread Trimming Lever	FC0217000000	
5	Thread Trimming Lever Pin	FC0211000000	
6	Oiled Bearing	BPF812121620	
7	Knife Retracting Sensor Harness	ED760400****	
8	Drive Arm	FC0213000000	
9	Proximity Switch Lock Fixture	PB000500KN01	
10	Knife Connecting Lever	AT0207000000	
11	Connecting Lever Pin	AT0206000000	
12	Connecting Stud	AT0208000000	
13	Thread Trimming Shaft A	CD0A51A1****	
14	Thread Trimming Shaft B	CD0A51B1****	
15	M6 Joint	EF0827010000	
16	Connecting Shaft Holder	CD0C07000000	
17	Searching Block	FX0217000000	
18	Proximity Switch	EG6601000000	
19	Sensor Bracket	CD0C10000000	
20	Movable Knife	AC0516000000	
21	Fixed Knife	AC0517000000	
22	Under Thread Presser	AC0518000000	
23			
24			
25			
26			
27			
28			
29			
30			
31			
32			
33			
34			
35			
36			
37			
38			
39			
40			
41			
42			
43			
44			
45			
46			
47			
48			
49			
50			

Note: As for parts with marks # or *, please follow our instructions on Table of Contents in your parts order.

(CG02)



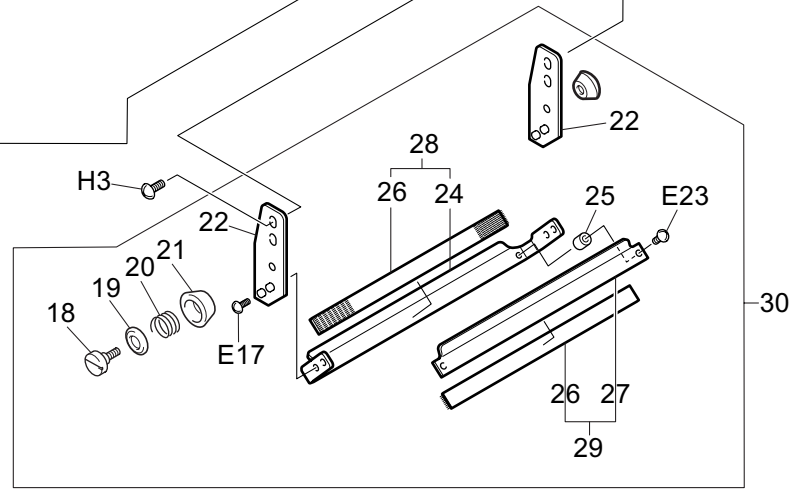
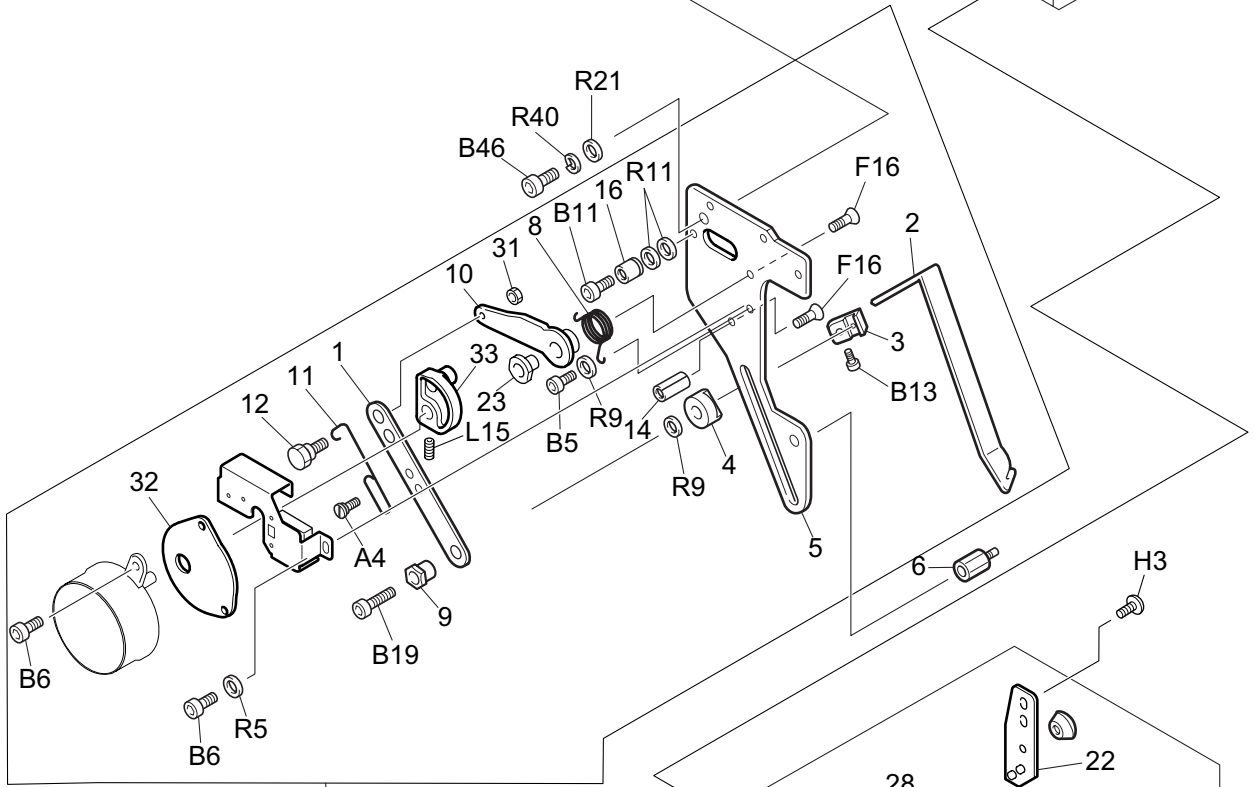
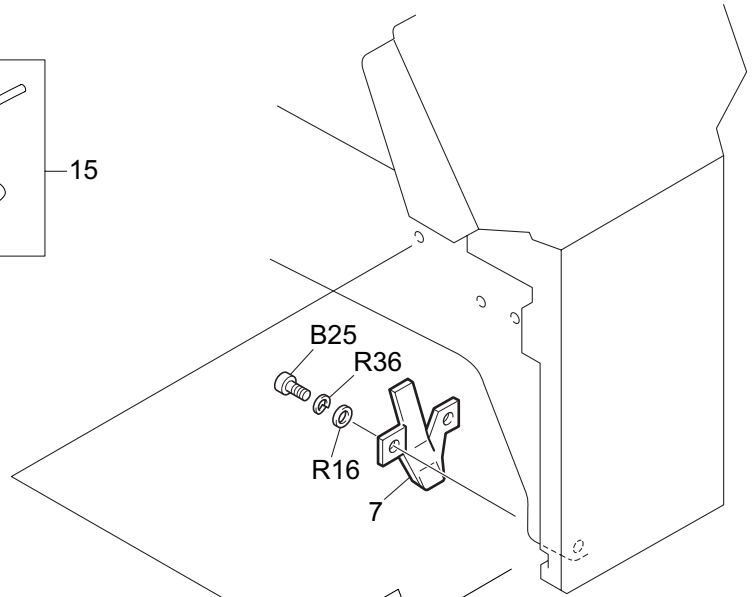
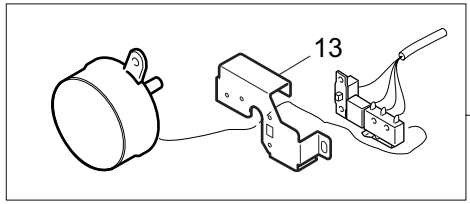
TME-DC PICKER

CD-10

Ref.No.	Description	Part No.	Remark
1	Picker Bracket	FC0206000000	
2	Flat Fillister Head Screw	AC0208000000	
3	Picker Stopper	AC0212010000	
4	Picker Base	FC0207010000	
5	E-ring	BPE200000000	
6	Picker	FC0208010000	
7	Rotary Hook Base Cover	FC0A07000000	
8	Solenoid	AT6806C10000	
9	Picker Solenoid Base	FC0210000000	
10	Solenoid Cover	FC0226000000	
11	Connecting Plate	FC0233000000	
12	Connecting Pin	AC0205000000	
13	Solenoid Pin	EG0252000000	
14	Compressed Spring	EG0218000000	
15	E-ring	BPE400000000	
16	Needle Bar O-Ring	EF0621000000	
17			
18			
19			
20			
21			
22			
23			
24			
25			
26			
27			
28			
29			
30			
31			
32			
33			
34			
35			
36			
37			
38			
39			
40			
41			
42			
43			
44			
45			
46			
47			
48			
49			
50			

Note: As for parts with marks # or *, please follow our instructions on Table of Contents in your parts order.

(CG02)



TME-DC UPPER THREAD HOLDER SET

CD-11

Ref.No.	Description	Part No.	Remark
1	Connecting Rod Plate	CD0E07000000	
2	Upper Thread Hook	EC0A02020000	
3	Upper Thread Hook Bracket	AC0306100000	
4	Positioning Collar	AC0302010000	
5	Thread Hook Base	CD0E09010000	
6	Base Stud	EC0504000000	
7	Hook Guide	EC0A35000000	
8	Lever Return Spring	AT0311000000	
9	Guide Bushing	AC0304000000	
10	Drive Arm	AT0310010000	
11	Anti-Come-out Spring	EC0A51000000	
12	Lever Connecting Pin	EC0A50000000	
13	Switch Base	CD0E10000000	
14	Motor Stud	AT0313010000	
15	Motor-driven Upper Thread Hook Assy. B	AT9101A20000	
16	Eccentric Stopper	EG0220000000	
17	Assembly Base Set	UN680165AC00	
18	Thread Suspender Attaching Screw	AT2311000000	
19	Thread Suspender Spring Presser	EF0638000000	
20	Thread Suspender Spring	EF0639000000	
21	Thread Suspender Disk	EF0637000000	
22	Thread Holder Bracket	AT0323000000	
23	Shaft Holder Boss	AT0315000000	
24	Thread Presser Base	AC030901####	
25	Thread Presser Spacer	AT0304000000	
26	Velcro	AT030500####	
26	Velcro	FX0631201200	12-Needle
27	Thread Presser Lid	AC031000####	
28	Thread Presser Base (with Tape)	UN680172****	
29	Thread Presser Lid (with Tape)	UN680182****	
30	Thread Presser Base Set	UN680033****	
31	Special Nut	AT0307100000	
32	Motor Base	AT0321000000	
33	Motor Lever	CD0E08020000	
34			
35			
36			
37			
38			
39			
40			
41			
42			
43			
44			
45			
46			
47			
48			
49			

Note: As for parts with marks # or *, please follow our instructions on Table of Contents in your parts order.

(CG02)

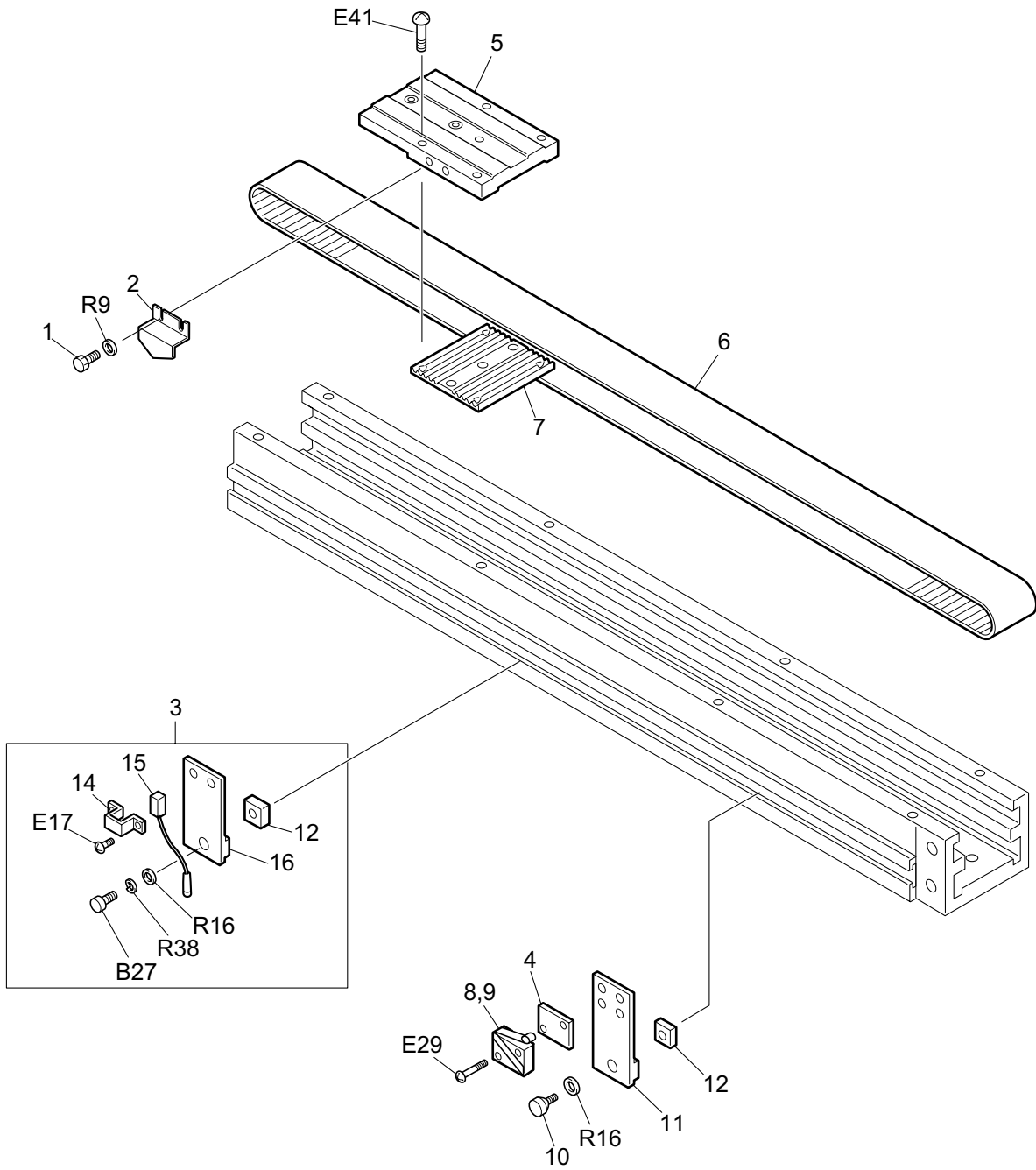
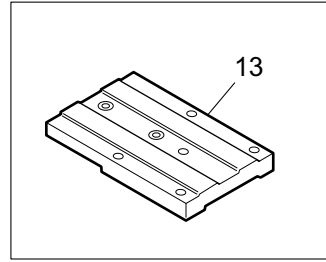
TME-DC CAM DRIVE SYSTEM SET

CD-12

Ref.No.	Description	Part No.	Remark
1	Tension Sprocket	AT0117000000	
2	Thrust Washer	BPAS11000000	
3	E-ring	BPE800000000	
4	Plunger Bracket	AT0120000000	
5	Plunger Holder	AT0121000000	
6	Solenoid Base	CD0C09010000	
7	Solenoid Cushion	AT0119000000	
8	Thread Trimming Solenoid	AT6802B00000	
9	Cushion Washer B	AT0116000000	
10	7.94mm Dia. Collar	EF0209000000	
11	E-ring	BPE120000000	
12	Cushion Washer A	AT0107000000	
13	Washer B	AT0122000000	
14	Cam Roller Return Spring	AT0108010000	
15	Cam Attaching Base	CD0C06010000	
16	Thrust Bearing	BPSB15280000	
17	Chain	CD0C03000000	
18	15mm Dia. Sprocket	AT0104000000	
19	Cam Shaft	FX0212000000	
20	Cam	FX0211000000	
21	Cam Attaching Screw	AT0123000000	
22	Sub Shaft	CD0C05010000	
23	Thread Trimming Shaft D	CD0A51D0****	
24	Thread Trimming Connecting Shaft	CD0C04000000	
25	Bearing Case Base Spacer A	CD0A54A10000	0.2mm Thick
25	Bearing Case Base Spacer B	CD0A54B10000	0.5mm Thick
25	Bearing Case Base Spacer C	CD0A54C10000	1.0mm Thick
26	O-Ring	BPP100000000	
27	Cushion Connecting Stud	AC0405000000	
28	Cam Lever	AC0402000000	
29	Cam Pin	AT0110000000	
30	Cam Roller	AT0111000000	
31	Lid Screw	AT0112010000	
32	Lever Drive Pin	AC0403000000	
33	Lever Support Pin	AT0106010000	
34	Support Pin Cushion	AT0106100000	
35	Cushion Washer A	AT0107000000	
36	Lever Fixing Washer	AT0109000000	
37	Driver Cam Base Spacer	MX083200****	
38	Sprocket Fixing Screw	AT0124000000	
39	ATH Eccentric Pin	CD0C02010000	
40	Tension Pin	CD0C11000000	
41	ATH Tension Base	CD0C01010000	
42	Bearing Case Plate	CD0A43000000	275P M/C
43	Sprocket Bearing Case	CD0A57010000	275P M/C
44	Sprocket Cover Stopper	CD0A58000000	275P M/C
45	Sprocket Cover	CD0A56010000	275P M/C
46	Needle Thrust Washer	BPSW1528AS00	
47	Bearing Bushing	ME0203000000	
48	Chain Cover	CD0A12010000	275P M/C

Note: As for parts with marks # or *, please follow our instructions on Table of Contents in your parts order.

(CG02)



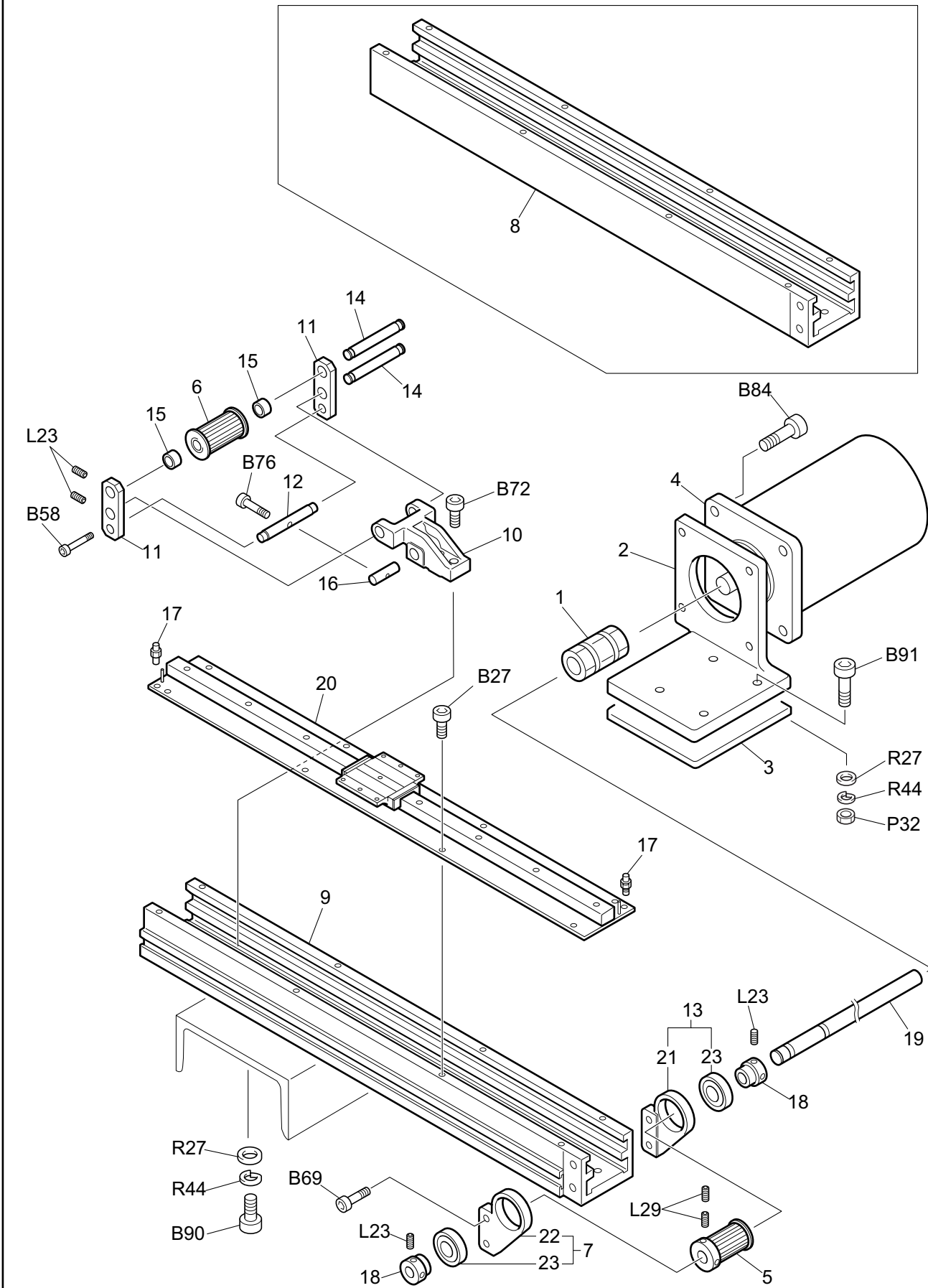
TME-DC X-AXIS DRIVE SYSTEM 1

CD-13-1

Ref.No.	Description	Part No.	Remark
1	Hexagon Bolt	EG0780000000	M3*6
2	LS Dog Base	ED0706000000	
3	Proximity Switch B Set	UN110161B000	
4	Limit Switch Spacer	ED0708000000	
5	X-axis Feed Plate B	CD0B08B00000	
6	Timing Belt	BPS5M35N****	
7	Belt Catcher Plate	MX0732000000	
8	Actuator	MS6602000000	
9	Limit Switch	PB001000SP00	
10	Adjusting Knob	EG0731000000	
11	Limit Switch Base B	EG0727B10000	
12	Fixing Base	EG0730000000	
13	X-axis Feed Plate A	CD0B08A00000	
14	Proximity Switch Lock Fixture	PB001000KN01	
15	Proximity Switch	PB001000KN00	
16	Sensor Attaching Base B	EG0732B10000	
17			
18			
19			
20			
21			
22			
23			
24			
25			
26			
27			
28			
29			
30			
31			
32			
33			
34			
35			
36			
37			
38			
39			
40			
41			
42			
43			
44			
45			
46			
47			
48			
49			
50			

Note: As for parts with marks # or *, please follow our instructions on Table of Contents in your parts order.

(CG02)



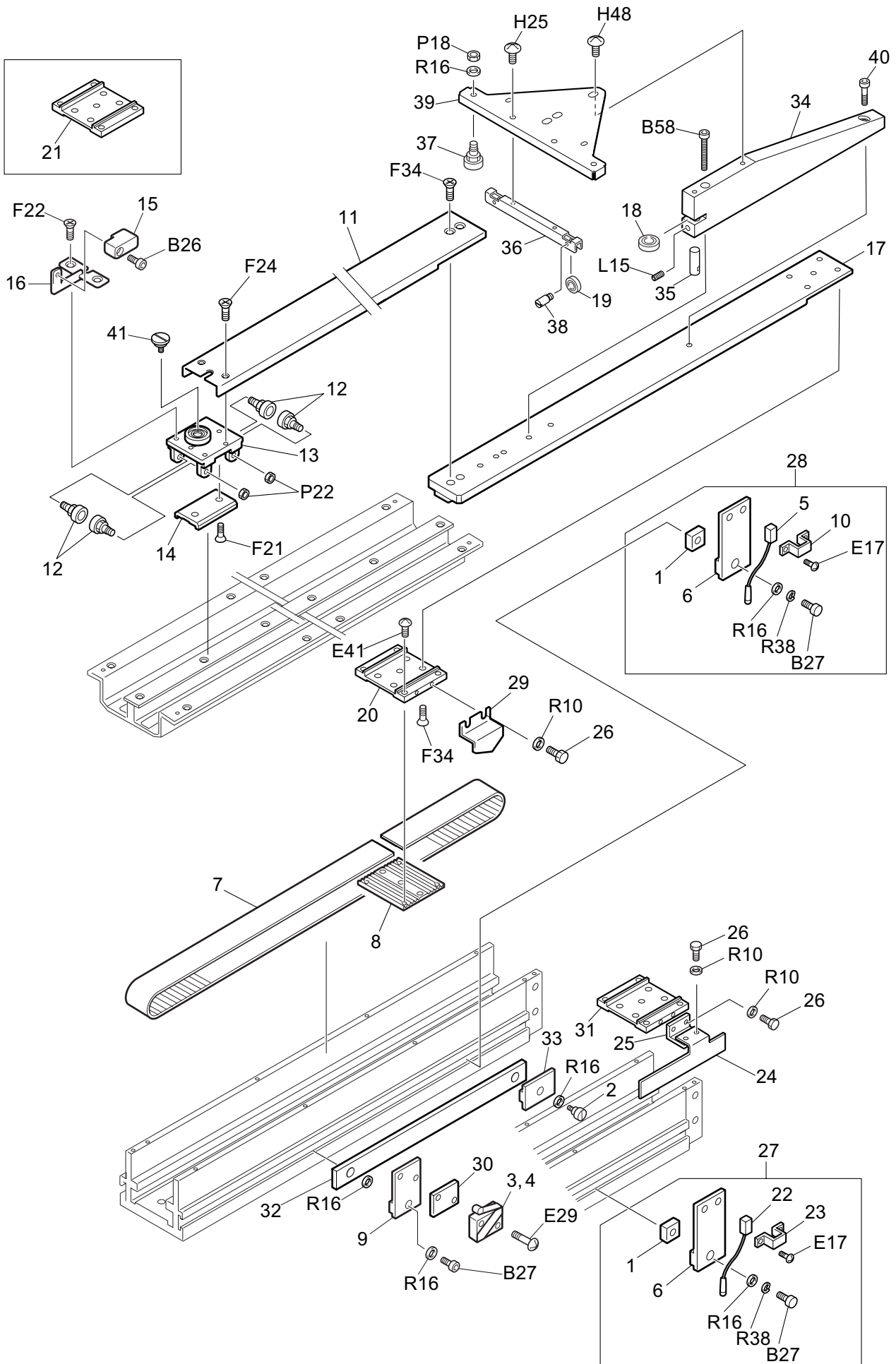
TME-DC X-AXIS DRIVE SYSTEM 2

CD-13-2

Ref.No.	Description	Part No.	Remark
1	N-Coupling	BPN150150000	
2	Pulse Motor Bracket	CT0872000000	
3	Motor Base Liner	CT087300****	
4	Pulse (Stepping) Motor	EH6403000000	
4	Pulse (Stepping) Motor	LG6404000000	18-H M/C, 15-H M/C (360P)
5	Driver-side Timing Pulley A	MX0710A00000	35mm wide type
6	Tension-side Timing Pulley A Set	UN110030A000	
7	Bearing Case Plate L (with Bearing)	MXS733L00000	
8	X-axis Driver Frame A	DC0711A0****	
9	X-axis Driver Frame B	DC0711B0****	
10	Tension Base Holder	MX0734000000	
11	Vertical Tension Base	MX0723000000	
12	Tension Shaft	MX0724000000	
13	Bearing Case Plate R (with Bearing)	MXS733R00000	
14	Tension Pulley Shaft	MX0725000000	
15	Tension Spacer	MX0726000000	
16	Driver Tension Shaft	MX0728000000	
17	Stopper	MX0729000000	
18	15mm Dia. Bearing Collar	EG0227000000	
19	X-axis Drive Shaft	CD0B07000000	
20	X-axis Drive Linear Base Set	MX074800****	
21	Bearing Case Plate R	MX0733R00000	
22	Bearing Case Plate L	MX0733L00000	
23	Ball Bearing	BP6003ZZ0000	
24			
25			
26			
27			
28			
29			
30			
31			
32			
33			
34			
35			
36			
37			
38			
39			
40			
41			
42			
43			
44			
45			
46			
47			
48			
49			

Note: As for parts with marks # or *, please follow our instructions on Table of Contents in your parts order.

(CG02)



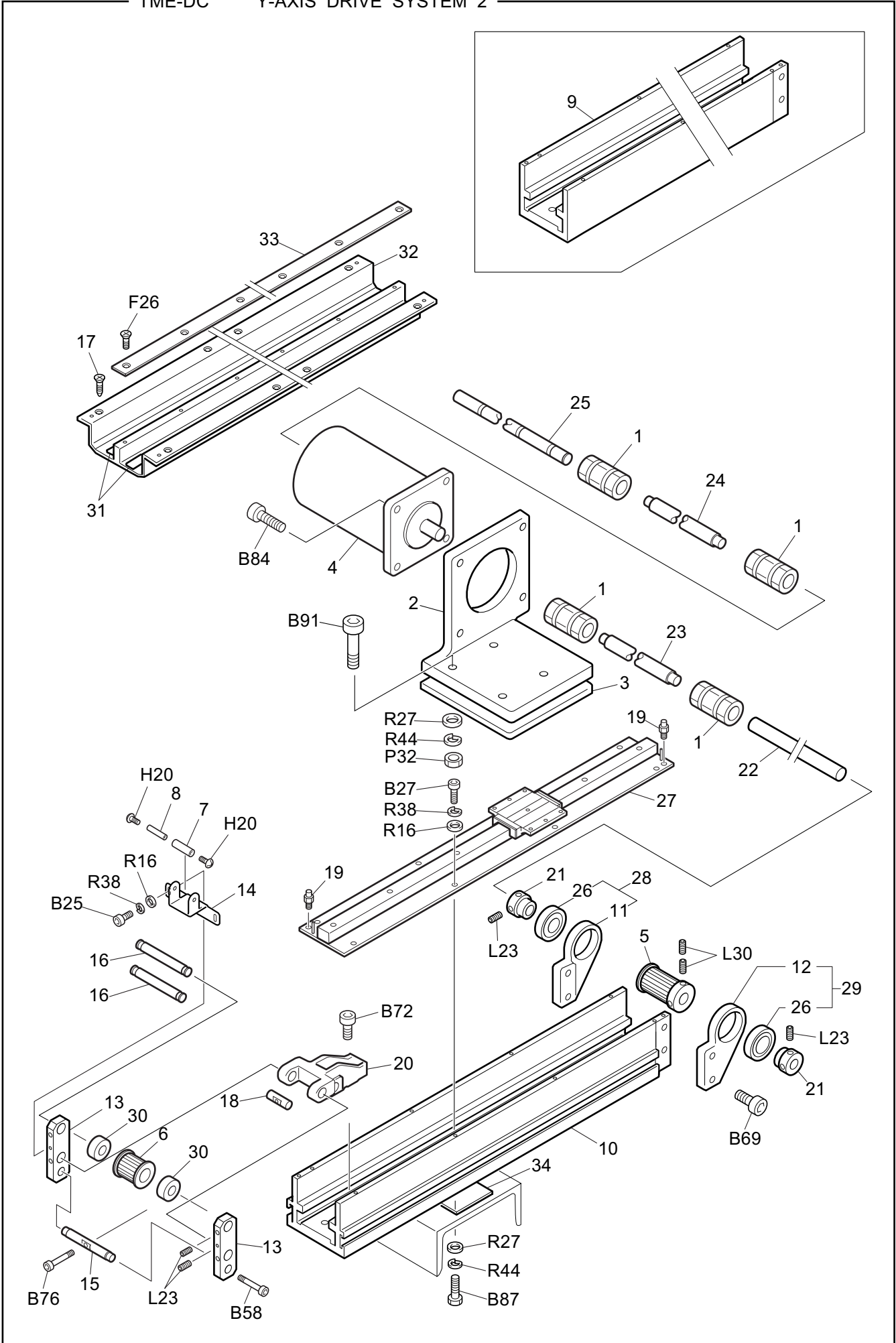
TME-DC Y-AXIS DRIVE SYSTEM 1

CD-14-1

Ref.No.	Description	Part No.	Remark
1	Fixing Base	EG0730000000	
2	Adjusting Knob	EG0731000000	
3	Limit Switch	PB001000SP00	
4	Actuator	MS6602000000	
5	Proximity Switch	PB001000KN00	
6	Sensor Attaching Base B	EG0732B10000	
7	Timing Belt	BPS5M35N0000	
8	Belt Catcher Plate	MX0732000000	
9	Limit Switch Base B	EG0727B10000	
10	Proximity Switch Lock Fixture	PB001000KN01	
11	Y-axis Feed Connecting Plate	MX0A21000000	
12	Y-axis Feed Front Pin	MX0742000000	
13	Y-axis Feed Plate, Front	MX0A16000000	
14	Guide Plate	MX0743010000	
15	Frame Presser Block	MX0737020000	
16	Roller Attaching Bracket	MX0741000000	
17	Driver Connecting Plate	MX0A22000000	
18	Ball Bearing	BPL1680ZZ000	
19	Ball Bearing	BPR1240ZZ000	
20	Y-axis Feed Plate B	DC0714B10000	
21	Y-axis Feed Plate C	DC0714C00000	
22	Proximity Switch	EG6601000000	
23	Proximity Switch Lock Fixture	PB000500KN01	
24	Y-axis Positioning Plate	DC0719000000	
25	Y-axis Positioning Plate Attach Bracket	CD0709000000	
26	Hexagon Bolt	EG0780000000	
27	Proximity Switch B Set	UN110160B000	
28	Proximity Switch B Set	UN110161B000	
29	LS Dog Base	ED0706000000	
30	Limit Switch Spacer	ED0708000000	
31	Y-axis Feed Plate D	DC0714D00000	
32	Fixing Base A	CD0B25000000	
33	Fixing Base B	CD0B26000000	
34	Float-preventive Stud	MX0A15000000	
35	Fixing Shaft	BF0155010000	
36	Float-preventive Roller Base	MX0A14000000	
37	Roller Pin	CD0H11000000	
38	Shaft Pin	MX0A17000000	
39	Float-preventive Arm	MX0A20000000	
40	Arm Fixing Bolt	CD0H15000000	
41	Lid Screw	MX0A19000000	
42			
43			
44			
45			
46			
47			
48			
49			
50			

Note: As for parts with marks # or *, please follow our instructions on Table of Contents in your parts order.

(CG02)



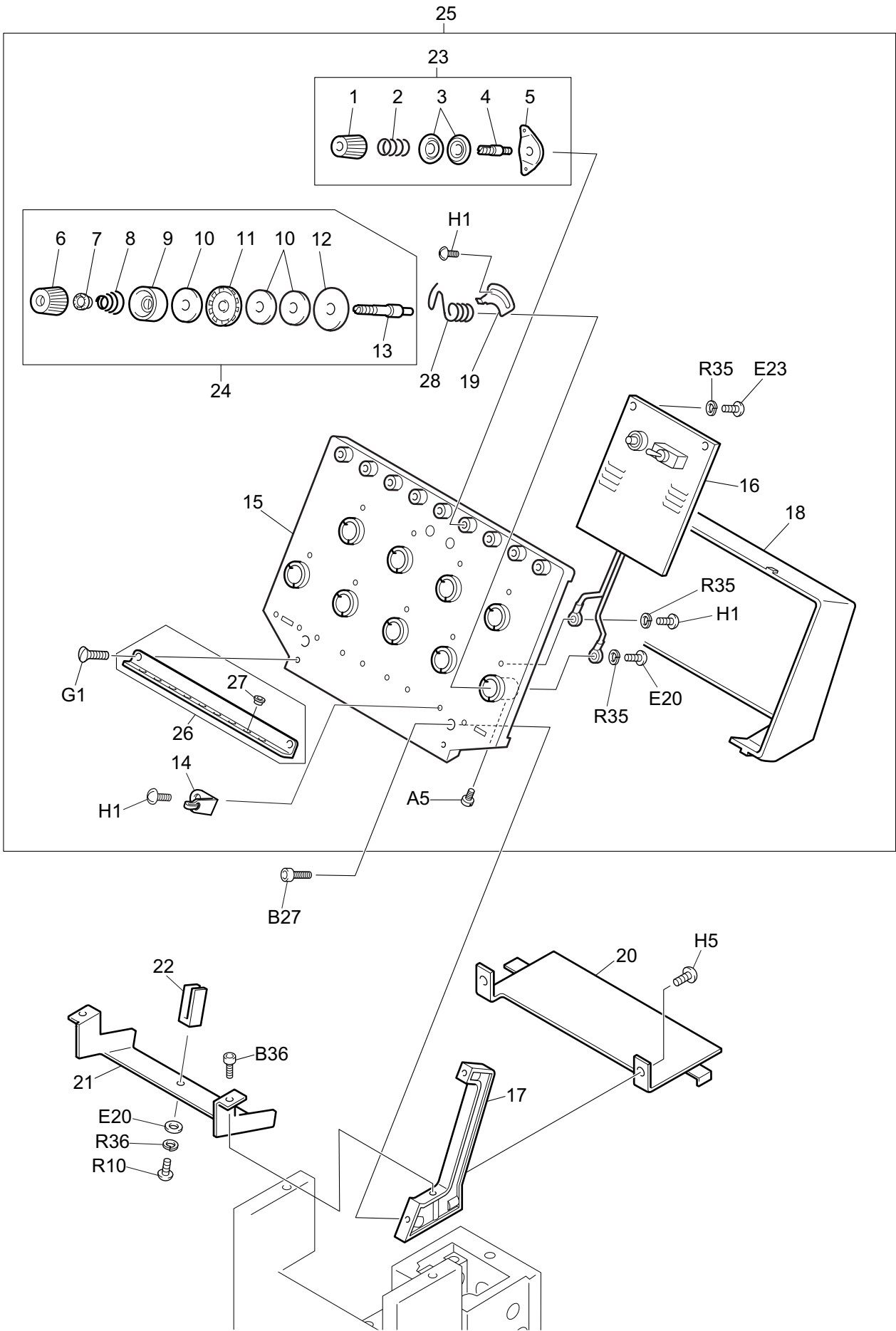
TME-DC Y-AXIS DRIVE SYSTEM 2

CD-14-2

Ref.No.	Description	Part No.	Remark
1	N-Coupling	BPN150150000	
2	Pulse Motor Bracket	CT0872000000	
3	Motor Base Liner	CT087300****	
4	Pulse (Stepping) Motor	EH6404000000	
4	Pulse (Stepping) Motor	LG6405000000	18-H M/C, 15-H M/C (360P)
5	Driver-side Timing Pulley A	MX0710A00000	
6	Tension-side Timing Pulley A Set	UN110030A000	
7	Roller	EF0722000000	
8	Roller Pin	EF0723010000	
9	Y-axis Driver Frame A	CD0B10A00000	
10	Y-axis Driver Frame B	CD0B10B00000	
11	Bearing Case Plate R	MX0733R00000	
12	Bearing Case Plate L	MX0733L00000	
13	Tension Base	CD0B14010000	
14	Bearing Case	CD0B11010000	
15	Tension Shaft	MX0724000000	
16	Tension Pulley Shaft	MX0725000000	
17	Countersunk Head Wood Screw	ZZ110420SD00	4.1P*20
18	Driver Tension Shaft	MX0728000000	
19	Stopper	MX0729000000	
20	Tension Base Holder	MX0734000000	
21	15mm Dia. Bearing Collar	EG0227000000	
22	Y15 Shaft A	CD0805A1****	
23	Y20 Shaft A	CD0806A0****	Y: 5 shaft drive type
24	Y20 Shaft B	CD0806B0****	Y: 5 shaft drive type
25	Y15 Shaft B	CD0805B1****	
26	Ball Bearing	BP6003ZZ0000	
27	Y-axis Drive Linear Base Set	MX074900****	
28	Bearing Case Plate R (with Bearing)	MXS733R00000	
29	Bearing Case Plate L (with Bearing)	MXS733L00000	
30	Tension Spacer	MX0726000000	
31	Rail Plate B	CD0H17000000	
32	Front Rail Holder	CD0B20000000	
33	Y-axis Feed Rail Plate	CD0B22000000	
34	Driver Spacer	EF083100****	
35			
36			
37			
38			
39			
40			
41			
42			
43			
44			
45			
46			
47			
48			
49			

Note: As for parts with marks # or *, please follow our instructions on Table of Contents in your parts order.

(CG02)

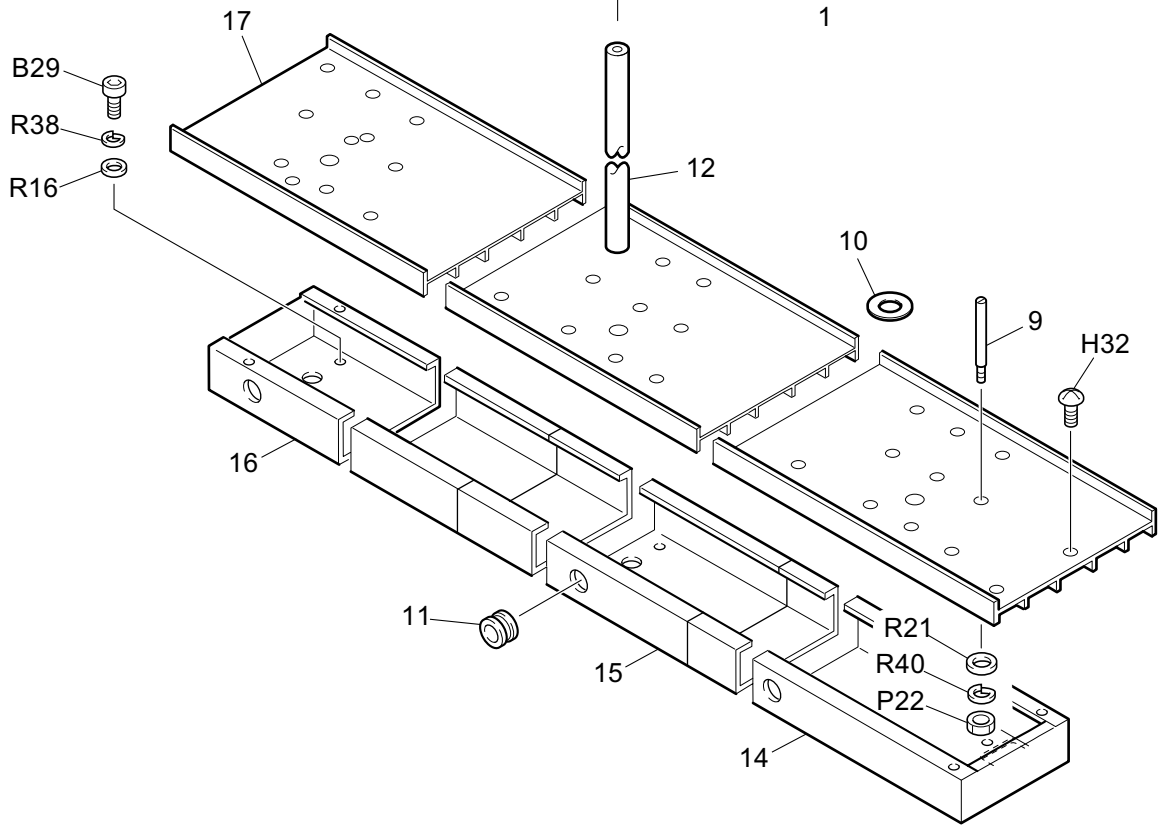
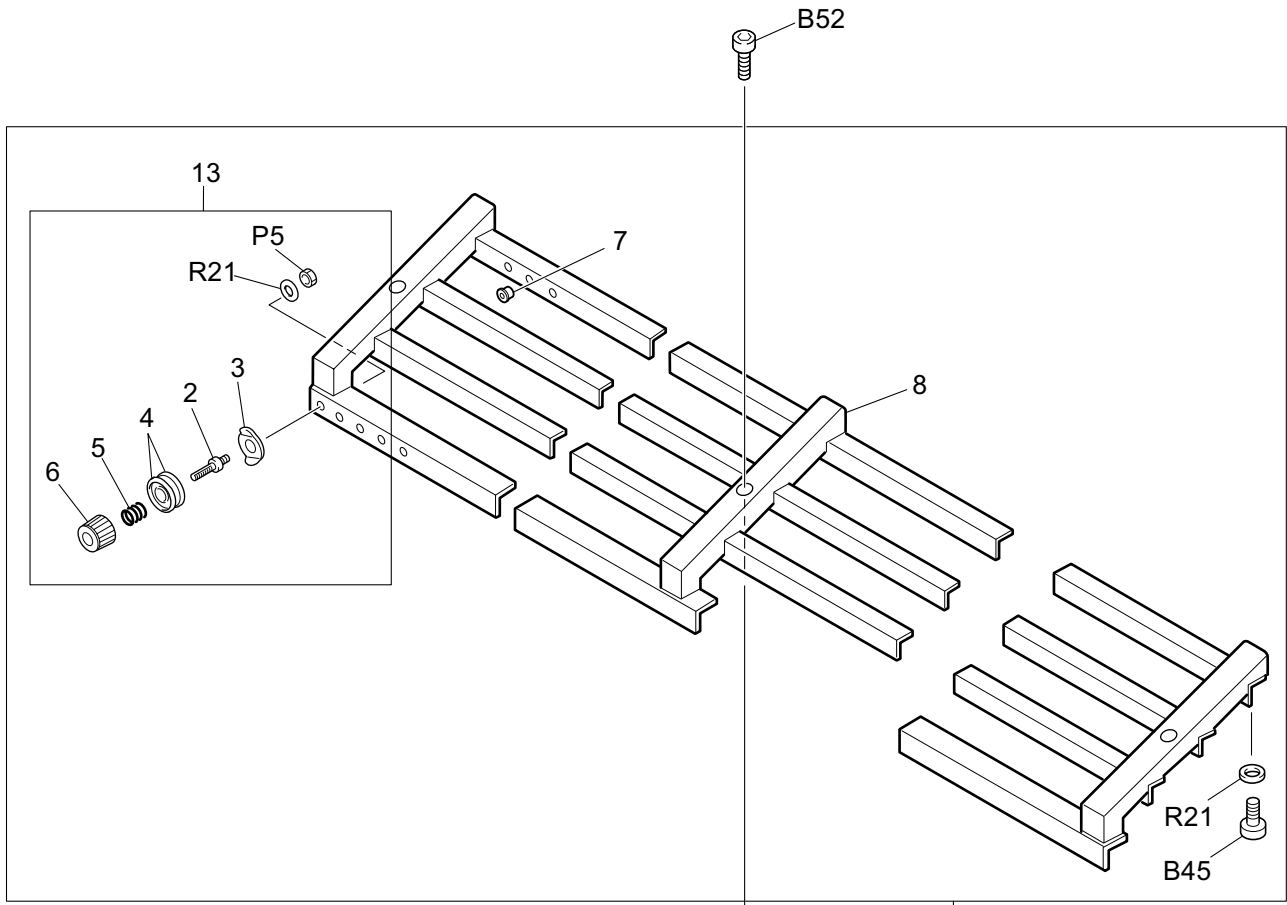


TME-DC INDIVIDUAL TENSION BASE

CD-15

Ref.No.	Description	Part No.	Remark
1	First Tension Thread Spring Screw	LG09220A0000	
2	First Tension Spring B	LG0960000000	
3	First Tension Disk	LG0920010000	
4	First Tension Stud	LG0918010000	
5	First Tension Thread Course	LG0919010000	
6	Adjusting Screw	EF09090A0000	
7	Spring Hook	EF0910000000	
8	Tension Spring	EF0908000000	
9	Tension Collar	EF09060A0000	
10	Felt Packing	EF0904000000	
11	Rotary Tension Disk	EF0905010000	
12	Insulation Plate	EF0903000000	
13	Tension Stud	LG0923000000	
14	Tension Base Middle Thread Guide	LG0917020000	
15	Individual Tension Base	FX09010B####	
16	Tension Base Card (PC Board)	EG7203030000	
17	Individual Tension Base Support	EC0905000000	
18	Tension Base Cover	FX09030A####	
19	Thread Breakage Detecting Contact Point	LG0916000000	
20	Tension Base Cord Cover A (Right Side)	MX0901AA####	
20	Tension Base Cord Cover B (Middle)	MX0901BA####	
20	Tension Base Cord Cover C (Left Side)	MX0901CA####	
21	Cord Protective Cover	FX09100C####	
22	Harness Clamp	MX0902010000	
23	First Tension Set	UN150500A001	
24	Tension Base Tension Set	UN2305000001	
25	Individual Tension Base Set	UN230023****	
26	Tension Base Lower Thread Guide	CX090101####	
27	Thread Guide	MX0521000000	
28	Thread Take-up Spring	EF0907010000	
29			
30			
31			
32			
33			
34			
35			
36			
37			
38			
39			
40			
41			
42			
43			
44			
45			
46			
47			
48			

Note: As for parts with marks # or *, please follow our instructions on Table of Contents in your parts order.



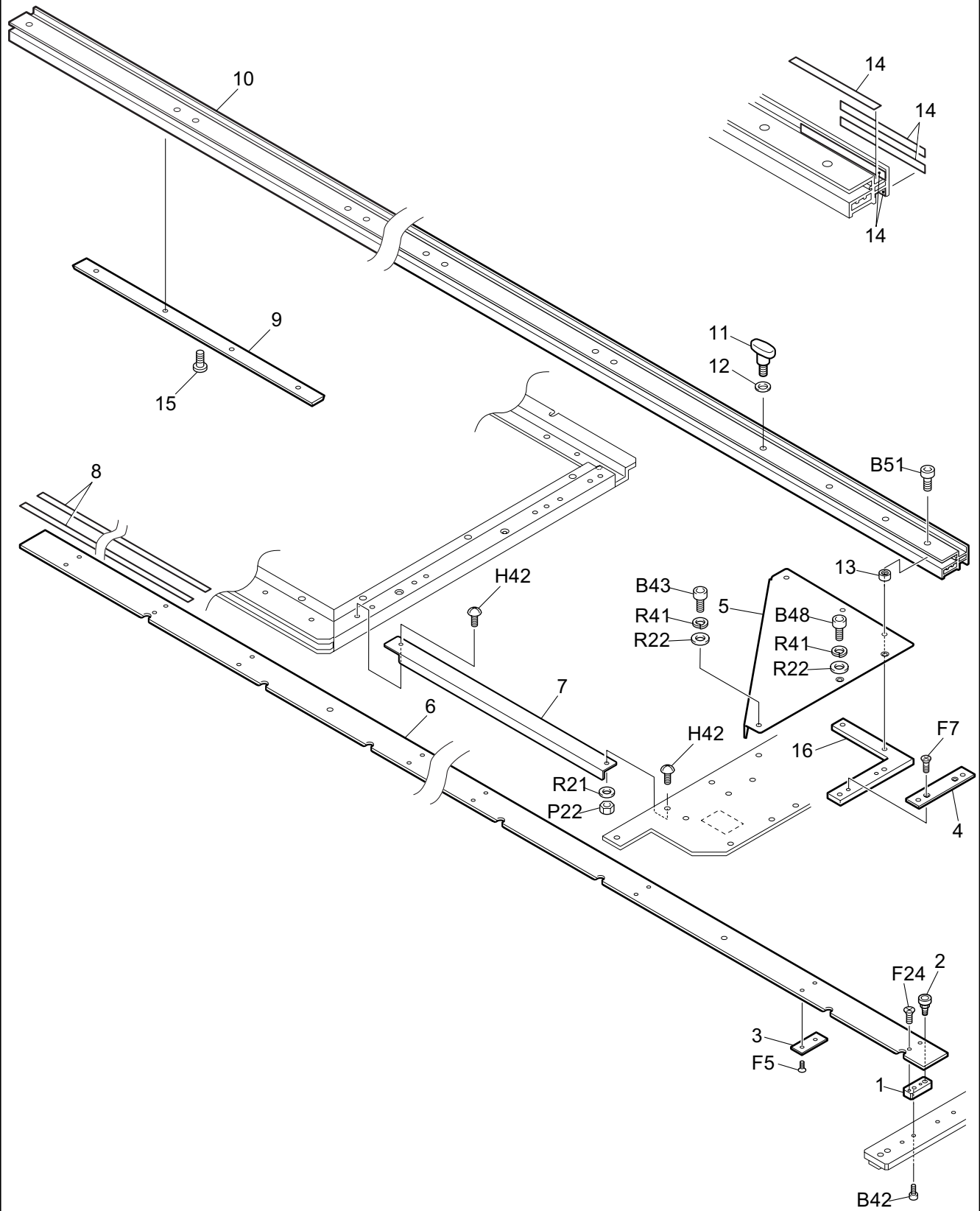
TME-DC THREAD STAND

CD-16

Ref.No.	Description	Part No.	Remark
1	Thread Course	EH09020A****	
2	No.1 Tension Stud	EC0D30000000	
3	No.1 Tension Thread Course	LG0919010000	
4	No.1 Tension Disk	LG0920010000	
5	No.1 Tension Spring B	LG0960000000	
6	No.1 Thread Tension Spring Screw	LG09220A0000	
7	Thread Guide A	EF0942A00000	White
7	Thread Guide B	EF0942B00000	Red
8	Thread Course Stay	MX083000****	
9	Thread Stand Stud	EF0939010000	
10	Thread Stand Felt	EF0940000000	
11	One-touch Bushing	BPTB25330000	
12	Thread Stand Shaft A	EF0937A20000	
13	No.1 Tension Set	UN150500B001	
14	No.1 Wiring Duct	CD0A04A0****	
15	No.2 Wiring Duct	CD0A04B1****	
16	No.3 Wiring Duct	CD0A04C1****	
17	Thread Stand Plate	CD0A0501****	
18			
19			
20			
21			
22			
23			
24			
25			
26			
27			
28			
29			
30			
31			
32			
33			
34			
35			
36			
37			
38			
39			
40			
41			
42			
43			
44			
45			
46			
47			
48			
49			

Note: As for parts with marks # or *, please follow our instructions on Table of Contents in your parts order.

(CG02)



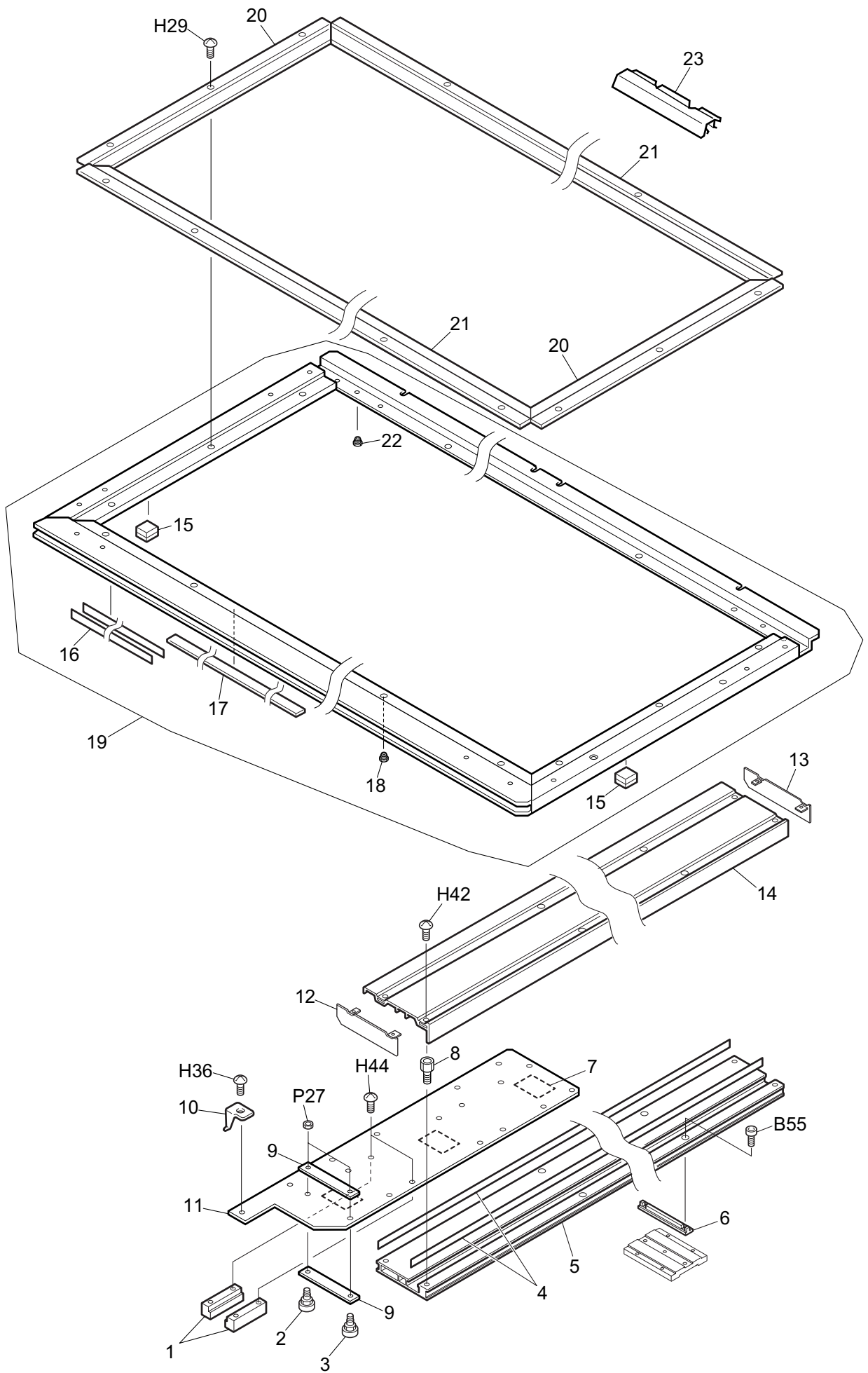
TME-DC COMMON USE BASE SASH

CD-17

Ref.No.	Description	Part No.	Remark
1	Plate Stud	BF0A10000000	
2	Bearing Pin	BF0A09000000	
3	Sash Plate	BF0A08000000	
4	Corner Spacer	BF0A07000000	
5	Joint Cover	BF0A0600****	
6	Base Plate	BF0A0200****	
7	Joint Angle	MX0B0600****	
8	Rail Plate	BF0A1500****	
9	Sash Plate A	CD0H3300****	
9	Sash Plate A2	CD0H3700****	
9	Frame Sash Plate A3	CD0H3800****	
9	Sash Plate B	CD0H3400****	
9	Frame Sash Plate C	BF0A0300****	
9	Frame Sash Plate C2	BF0A3200****	
9	Frame Sash Plate D	BF0A0400****	
9	Sash Plate D2	BF0A3300****	
9	Sash Plate E	BF0A2900****	
10	Slide Base	BF0A0100****	
11	Frame Set Screw A	BF0A16000000	
12	Screw Setting Spacer A	WH0A12000000	
13	Screw Bushing	WH0121000000	
14	Rail Plate A	CD0H1600****	
15	Flat Fillister Head Screw	CD0H36000000	
16	Corner	BF0A17000000	
17			
18			
19			
20			
21			
22			
23			
24			
25			
26			
27			
28			
29			
30			
31			
32			
33			
34			
35			
36			
37			
38			
39			
40			
41			
42			

Note: As for parts with marks # or *, please follow our instructions on Table of Contents in your parts order.

TME-DC EMBROIDERY FRAME



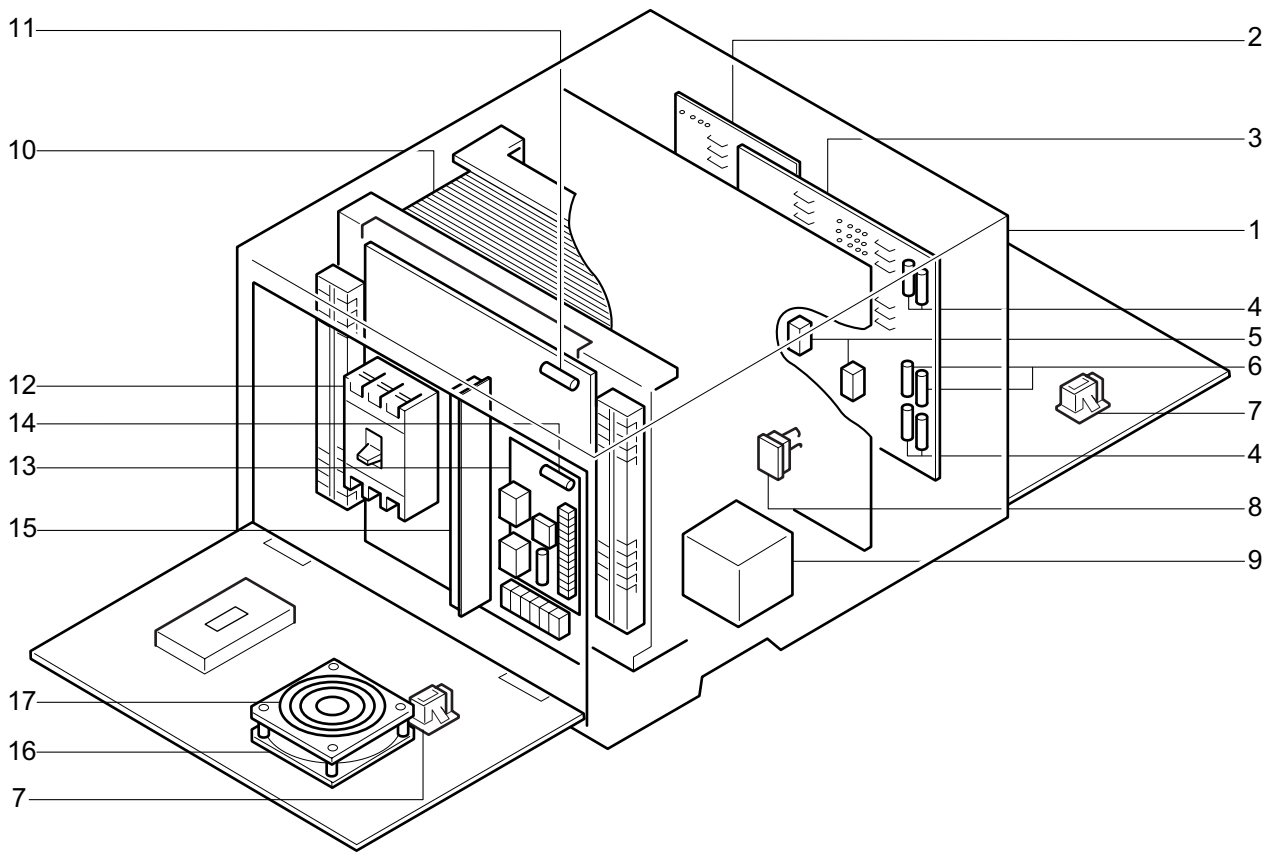
TME-DC EMBROIDERY FRAME

CD-18

Ref.No.	Description	Part No.	Remark
1	Z-spec. Roller Float-preventive Block B	CD0B29000000	
2	Eccentric Z-spec. Roller	BF0A13000000	
3	Z-spec. Roller	BF0A12000000	
4	Rail Plate	CD0B04000000	
5	Z-spec. Frame Sash	CD0B01000000	
6	Z-spec. Frame Sash Spacer	BF0A11000000	
7	Cork	BF2310000000	
8	Z-spec. Frame Sash Cover Stud A	BF2305010000	
9	Plate Washer	BF0A14000000	
10	Embroidery Space Indicator	BF2331000000	
11	Z-spec. Roller Base	BF0A05000000	
12	Side Cover R	BF1123010000	
13	Side Cover L	BF1122010000	
14	Z-spec. Frame Sash Cover	CD0B02000000	
15	No.6 Cork Set	MX0A04000000	
16	Rail Plate B	CD0H1700****	
17	No.4 Felt	EG0317000000	
18	Screw Ring	EF0303000000	
19	Common Use Border Frame	MX0B0100****	
20	Common Use Border Frame Lengthwise Sash	MX0B02000000	
21	Common Use Border Frame Crosswise Sash	MX0B0300****	
22	Screw Ring B	MX0B05000000	
23	Border Frame Clip	EG032600****	
24			
25			
26			
27			
28			
29			
30			
31			
32			
33			
34			
35			
36			
37			
38			
39			
40			
41			
42			
43			
44			
45			
46			
47			
48			
49			
50			

Note: As for parts with marks # or *, please follow our instructions on Table of Contents in your parts order.

(CG02)



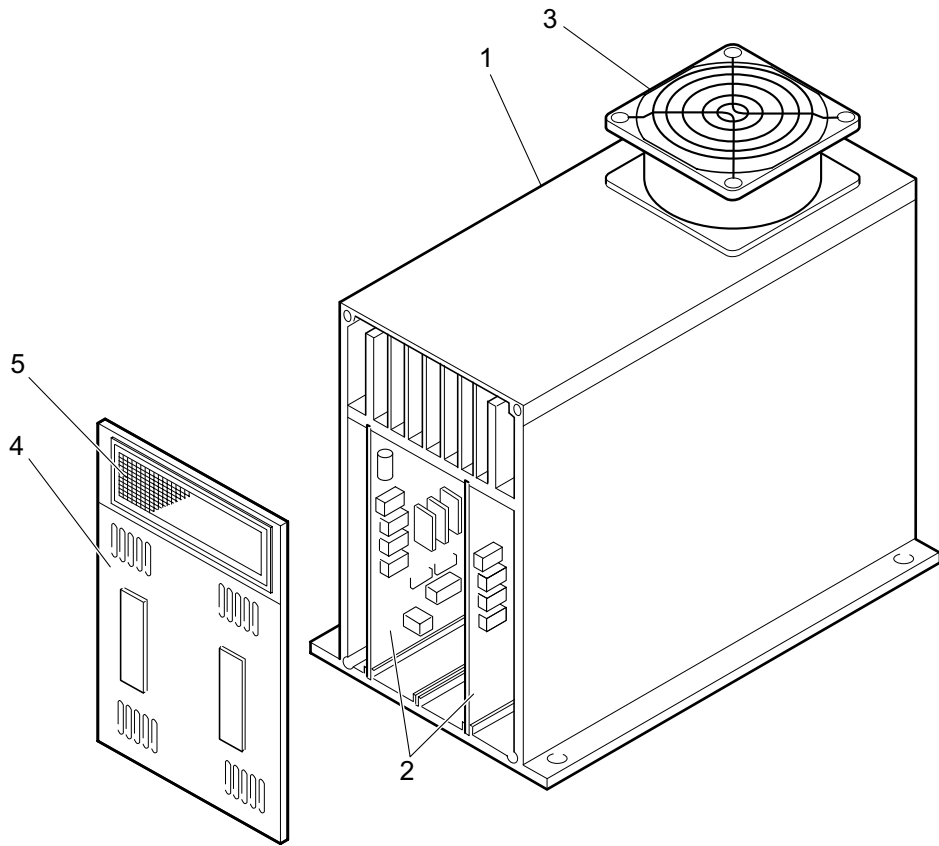
TME-DC POWER SUPPLY BOX

CD-19

Ref.No.	Description	Part No.	Remark
1	Power Supply Box	ED5600A70000	
1	Power Supply Box	ED5600D70000	6 or less head machines
2	IMM2 Card	ED5601010000	
3	D-Joint 13 Card	ED5605030000	
4	Glass Tube Fuse	PA5052A00000	
5	Fuse	PA5062320000	
6	Glass Tube Fuse	PA5002800000	
7	Receptacle	PB000200PA00	
8	Relay	PB000100KM00	
9	Automatic Voltage Regulator	PB002700PW00	
10	Transformer	PB005500TV00	
11	Glass Tube Fuse	PA5002500000	
12	No Fuse Breaker	PB002100KA00	
13	Relay Unit	AT5400010000	
14	Glass Tube Fuse	PA5002300000	
15	Brake Resistor	PB001500RA00	
15	Brake Resistor	PB001600RA00	6 or less head machines
16	Fan	PB000100BF00	
17	Air Filter	PB000200ZM00	
18			
19			
20			
21			
22			
23			
24			
25			
26			
27			
28			
29			
30			
31			
32			
33			
34			
35			
36			
37			
38			
39			
40			
41			
42			
43			
44			
45			
46			
47			
48			

Note: As for parts with marks # or *, please follow our instructions on Table of Contents in your parts order.

(CG02)



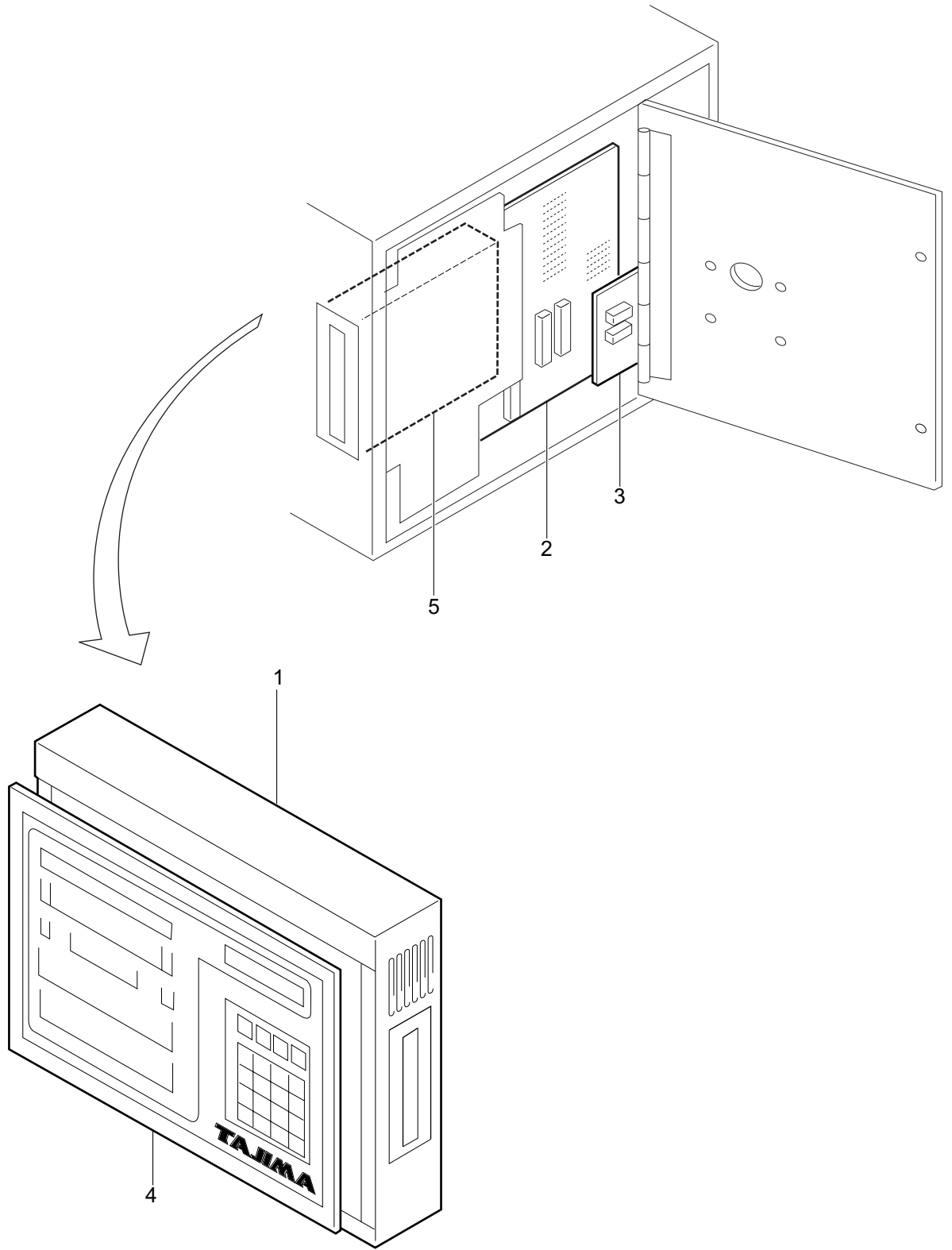
TME-DC DRIVER BOX

CD-20

Ref.No.	Description	Part No.	Remark
1	Driver Box	EH5403A10000	
2	Driver Card (PC Board)	EH5404080000	
3	Fan	PB000700BF00	
4	Driver Box Full Face Panel	EH5405A00000	
5	Air Filter	PB000600ZM00	
6			
7			
8			
9			
10			
11			
12			
13			
14			
15			
16			
17			
18			
19			
20			
21			
22			
23			
24			
25			
26			
27			
28			
29			
30			
31			
32			
33			
34			
35			
36			
37			
38			
39			
40			
41			
42			
43			
44			
45			
46			
47			
48			
49			
50			

Note: As for parts with marks # or *, please follow our instructions on Table of Contents in your parts order.

(CG02)



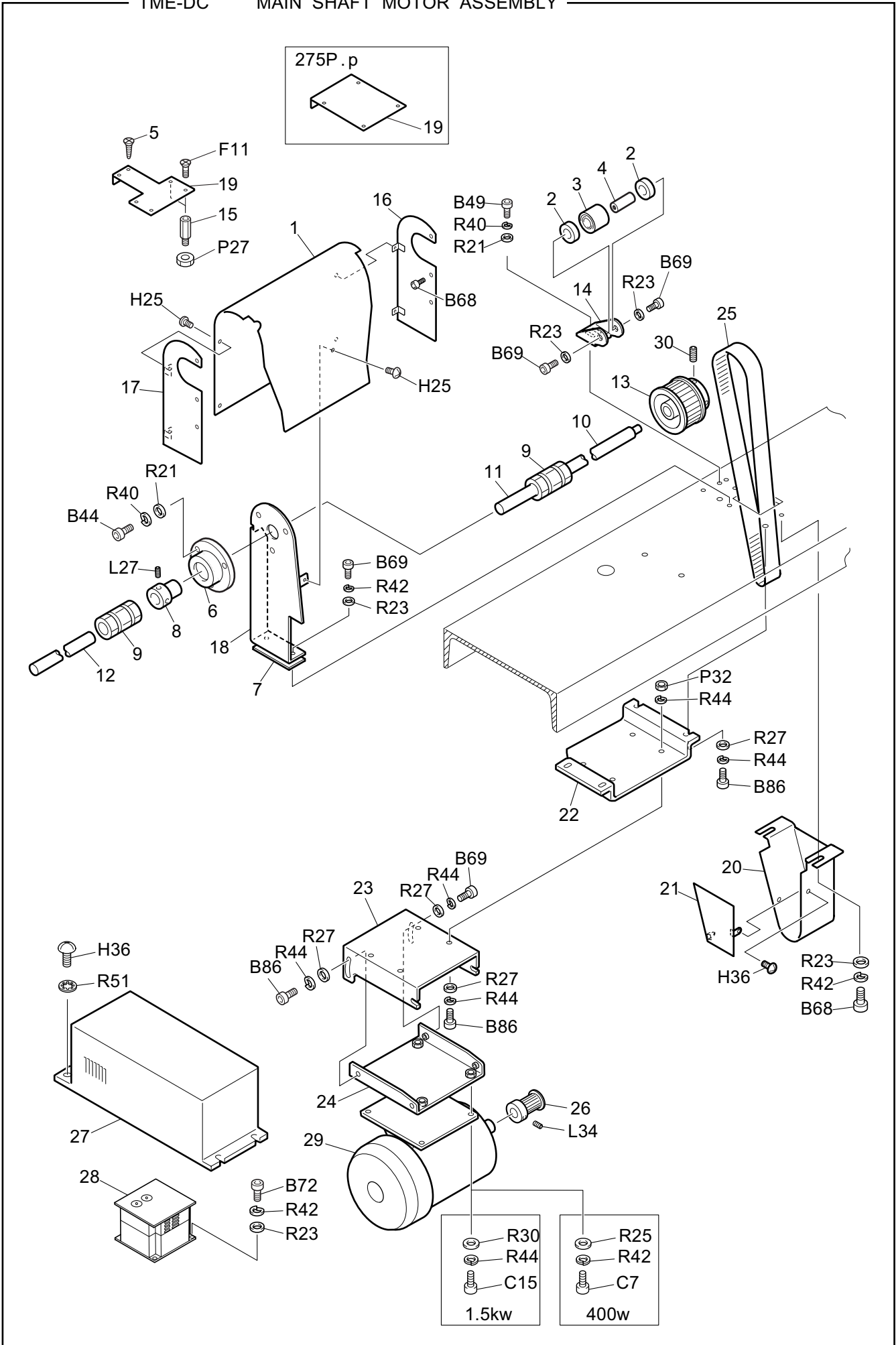
TME-DC CONTROLLER BOX

CD-21

Ref.No.	Description	Part No.	Remark
1	Controller Box	ED5104D00000	Japanese
1	Controller Box	ED5104C00000	Korean
1	Controller Box	ED5104A00000	English
1	Controller Box	ED5104B00000	Chinese
2	IDM2 Card	ED5101020000	
3	D-Memory Card	ED5102000000	
4	Panel Film	ED5105000000	Japanese
4	Panel Film	ED5105C00000	Korean
4	Panel Film	ED5105A00000	English
4	Panel Film	ED5105B00000	Chinese
4	Panel Film	ED5105D00000	Spanish
5	Floppy Disk Driver	PB000800RE00	
6			
7			
8			
9			
10			
11			
12			
13			
14			
15			
16			
17			
18			
19			
20			
21			
22			
23			
24			
25			
26			
27			
28			
29			
30			
31			
32			
33			
34			
35			
36			
37			
38			
39			
40			
41			
42			
43			

Note: As for parts with marks # or *, please follow our instructions on Table of Contents in your parts order.

(CG02)



TME-DC MAIN SHAFT MOTOR ASSEMBLY

CD-22

Ref.No.	Description	Part No.	Remark
1	Pulley Cover A	CD0A66A0****	
2	Bearing	BP6202ZZ0000	
3	Tension Roller	CD0A38000000	
4	Roller Shaft	CD0A39000000	
5	Countersunk Head Wood Screw	ZZ110316SD00	3.1P*16
6	Bearing Case	CD0A41010000	
7	Bearing Case Base Spacer A	CD0A54A10000	0.2mm Thick
7	Bearing Case Base Spacer B	CD0A54B10000	0.5mm Thick
7	Bearing Case Base Spacer C	CD0A54C10000	1.0mm Thick
8	15mm Dia. Bearing Case Collar	EF0106000000	
9	N-Coupling	BPN150150000	
10	Main Connecting Shaft A	CD0A50A2****	
11	Machine Connecting Shaft B	CD0A50B1****	
12	Machine Connecting Shaft C	CD0A50C0****	
13	Main Shaft Pulley	CD0A42000000	
14	Tension Base	CD0A46000000	
15	Cover Stud	CD0A28000000	
16	Pulley Cover B	CD0A66B10000	
17	Pulley Cover C	CD0A66C10000	
18	Bearing Case Base	CD0A44010000	
19	Belt Cover	CD0A0901****	
20	Motor Pulley Cover A	CD0A70010000	
20	Motor Pulley Cover A	CD0A77000000	6 or less head machines
21	Motor Pulley Cover B	CD0A71010000	
21	Motor Pulley Cover B	CD0A78000000	6 or less head machines
22	Motor Base Spacer	CD0A72000000	
22	Motor Base Spacer	CD0A74000000	6 or less head machines
23	Main Shaft Tension Bracket	ED0159010000	
23	Main Shaft Tension Bracket	CD0A76000000	6 or less head machines
24	Main Shaft Attaching Bracket	ED0160000000	
24	Main Shaft Attaching Bracket	CD0A75000000	6 or less head machines
25	Timing Belt	BPS5M3511600	
25	Timing Belt	BPS5M3510850	6 or less head machines
26	Main Shaft Motor Pulley	ED0161000000	
26	Main Shaft Motor Pulley	CD0A73000000	6 or less head machines
27	Control Box Cover	ED0169000000	
28	Inverter	PB000100AD00	
28	Inverter	PB000200AD00	6 or less head machines
29	Main Shaft Motor	ED6215010000	
29	Main Shaft Motor	CD6201000000	6 or less head machines
30	Hexagon Socket Head Set Screw	BPKCPM8L1600	
31			
32			
33			
34			
35			
36			
37			
38			
39			

Note: As for parts with marks # or *, please follow our instructions on Table of Contents in your parts order.

(CG02)

No.	Part No.	Remark	No.	Part No.	Remark
A	Flat Fillister Head Screw		B17	SS6203180TN0	M3*18
A1	SM15015450CN	1/8*44*5	B18	SS6203200TD0	M3*20
A2	SM15015455CN	1/8*44*5.5	B19	SS6203200TN0	M3*20
A3	SM15015460CN	1/8*44*6	B20	SS6203250TN0	M3*25
A4	SM16515530CN	9/64*40*3	B21	SS6204050TD0	M4*5
A5	SM14020540CN	9/64*40*4	B22	SS6204050TN0	M4*5
A6	SM16516540SA	9/64*40*4	B23	SS6204060TN0	M4*6
A7	SM17010540CN	9/64*40*4	B24	SS6204080TD0	M4*8
A8	SM1E515550CN	9/64*40*5	B25	SS6204080TN0	M4*8
A9	SM14020560CN	9/64*40*6	B26	SS6204100TD0	M4*10
A10	SM15525560CN	9/64*40*6	B27	SS6204100TN0	M4*10
A11	SM15526570CN	9/64*40*7	B28	SS6204120TD0	M4*12
A12	SM15020580CN	9/64*40*8	B29	SS6204120TN0	M4*12
A13	SM15530580CN	9/64*40*8	B30	SS6204150TN0	M4*15
A14	SM16025580CN	9/64*40*8	B31	SS6204180TN0	M4*18
A15	SM150205A0CN	9/64*40*10	B32	SS6204200TD0	M4*20
A16	SM150205C0CN	9/64*40*12	B33	SS6204200TN0	M4*20
A17	SM150205F0CN	9/64*40*15	B34	SS6204250TN0	M4*25
A18	SM15422643TN	11/64*40*4.3	B35	SS6204250TN1	M4*25
A19	SM17017670CN	11/64*40*7	B36	SS6204300TN0	M4*30
A20	SM1C035675CN	11/64*40*7.5	B37	SS6204350TN0	M4*35
A21	SM10825690SH	11/64*40*9	B38	SS6204400TN0	M4*40
A22	SM146266B5CN	11/64*40*11.5	B39	SS6204450TN0	M4*45
A23	SM172316C0CN	11/64*40*12	B40	SS6205060TN0	M5*6
A24	SS6003080SC0	M3*8	B41	SS6205080TD0	M5*8
A25	SS6003080SD0	M3*8	B42	SS6205080TN0	M5*8
A26	SS6003100CC0	M3*10	B43	SS6205100TD0	M5*10
A27	SS6004100SC0	M4*10	B44	SS6205100TN0	M5*10
			B45	SS6205100TP0	M5*10
			B46	SS6205120TN0	M5*12
			B47	SS6205140TN0	M5*14
			B48	SS6205150TD0	M5*15
			B49	SS6205150TN0	M5*15
B	Hexagon Socket Head Cap Screw		B50	SS6205160TN0	M5*16
B1	SS6202080TD0	M2*8	B51	SS6205180TN0	M5*18
B2	SS6202100TD0	M2*10	B52	SS6205200TD0	M5*20
B3	SS6276050TN0	M2.6*5	B53	SS6205200TN0	M5*20
B4	SS6203030TN0	M3*3	B54	SS6205220TN0	M5*22
B5	SS6203040TN0	M3*4	B55	SS6205230TN0	M5*23
B6	SS6203050TN0	M3*5	B56	SS6205250TN0	M5*25
B7	SS6203060TD0	M3*6	B57	SS6205300TN0	M5*30
B8	SS6203060TN0	M3*6	B58	SS6205350TN0	M5*35
B9	SS6203080TD0	M3*8	B59	SS6205350TN1	M5*35
B10	SS6203080TN0	M3*8	B60	SS6205500TN0	M5*50
B11	SS6203100TD0	M3*10	B61	SS6205500TN1	M5*50
B12	SS6203100TN0	M3*10	B62	SS6205550TN0	M5*55
B13	SS6203120TN0	M3*12	B63	SS6205600TN0	M5*60
B14	SS6203150TD0	M3*15	B64	SS6205600TN1	M5*60
B15	SS6203150TN0	M3*15	B65	SS6206080TN0	M6*8
B16	SS6203160TN0	M3*16	B66	SS6206090TN0	M6*9

B.C.D.E

No.	Part No.	Remark	No.	Part No.	Remark
B	Hexagon Socket Head Cap Screw		<i>C10</i>	SS9306500SD0	M6*50
<i>B67</i>	SS6206100TN0	M6*10	<i>C11</i>	SS9306550SD0	M6*55
<i>B68</i>	SS6206120TN0	M6*12	<i>C12</i>	SS9306650SD0	M6*65
<i>B69</i>	SS6206150TN0	M6*15	<i>C13</i>	SS9306750SC0	M6*75
<i>B70</i>	SS6206180TN0	M6*18	<i>C14</i>	SS9308150TN0	M8*15
<i>B71</i>	SS6206200TN0	M6*20	<i>C15</i>	SS9308180TN0	M8*18
<i>B72</i>	SS6206250TN0	M6*25	<i>C16</i>	SS9310300TN0	M10*30
<i>B73</i>	SS6206300TN0	M6*30	<i>C17</i>	SS9310350SC0	M10*35
<i>B74</i>	SS6206350TN0	M6*35	<i>C18</i>	SS9310350TN0	M10*35
<i>B75</i>	SS6206400TN0	M6*40	<i>C19</i>	SS9310400SC1	M10*40
<i>B76</i>	SS6206450TN0	M6*45	<i>C20</i>	SS9312500TN0	M12*50
<i>B77</i>	SS6206450TN1	M6*45			
<i>B78</i>	SS6206500TN1	M6*50			
<i>B79</i>	SS6206650TN0	M6*65			
<i>B80</i>	SS6506750TN1	M6*75			
<i>B81</i>	SS6206800TN1	M6*80			
<i>B82</i>	SS6206A00TN0	M6*100	D	Round Fillister Head Screw	
<i>B83</i>	SS6208120TN0	M8*12	<i>D1</i>	SM66514540CL	9/64*40*4
<i>B84</i>	SS6208150TN0	M8*15	<i>D2</i>	SM66015550CL	9/64*40*5
<i>B85</i>	SS6208150TP0	M8*15	<i>D3</i>	SM66015550CN	9/64*40*5
<i>B86</i>	SS6208200TN0	M8*20	<i>D4</i>	SM67018550CN	9/64*40*5
<i>B87</i>	SS6208250TN0	M8*25	<i>D5</i>	SM67020550CN	9/64*40*5
<i>B88</i>	SS6208300TN0	M8*30	<i>D6</i>	SM66015560CL	9/64*40*6
<i>B89</i>	SS6208350TN0	M8*35	<i>D7</i>	SM66015560CN	9/64*40*6
<i>B90</i>	SS6208400TN0	M8*40	<i>D8</i>	SM67020560CL	9/64*40*6
<i>B91</i>	SS6208400TN1	M8*40	<i>D9</i>	SM67020560CN	9/64*40*6
<i>B92</i>	SS6208450TN0	M8*45	<i>D10</i>	SM65817568CN	9/64*40*6.8
<i>B93</i>	SS6208450TN1	M8*45	<i>D11</i>	SM67020580CN	9/64*40*8
<i>B94</i>	SS6208500TN0	M8*50	<i>D12</i>	SM660255A0CN	9/64*40*10
<i>B95</i>	SS6208600TN0	M8*60	<i>D13</i>	SM670205C0CN	9/64*40*12
<i>B96</i>	SS6208700TN0	M8*70	<i>D14</i>	SM67015660CL	11/64*40*6
<i>B97</i>	SS6210250TN0	M10*25	<i>D15</i>	SM67010665CL	11/64*40*6.5
<i>B98</i>	SS6210300TN0	M10*30	<i>D16</i>	SM675306A5CN	11/64*40*10.5
<i>B99</i>	SS6210400TN0	M10*40	<i>D17</i>	SM675306C0CN	11/64*40*12
<i>B100</i>	SS6212300TN0	M12*30	<i>D18</i>	SM675256F0CN	11/64*40*15
			<i>D19</i>	SM69065CQ5CN	9/32*28*24.5
			<i>D20</i>	SS7003050SD0	M3*5
C	Hexagon Bolt				
<i>C1</i>	SS9303060SD0	M3*6	E	Pan Head Screw	
<i>C2</i>	SS9304080SD0	M4*8	<i>E1</i>	SS4164014MZ0	M1.4*1.4
<i>C3</i>	SS9305100SD0	M5*10	<i>E2</i>	SS4102030MZ0	M2*3
<i>C4</i>	SS9305150SC0	M5*15	<i>E3</i>	SS4102040MZ0	M2*4
<i>C5</i>	SS9305150SD0	M5*15	<i>E4</i>	SS4102080MZ0	M2*8
<i>C6</i>	SS9305200SD0	M5*20	<i>E5</i>	SS4175030MZ0	M2.5*3
<i>C7</i>	SS9306150SC0	M6*15	<i>E6</i>	SS4175040MZ0	M2.5*4
<i>C8</i>	SS9306450SD0	M6*45	<i>E7</i>	SS4175050MZ0	M2.5*5
<i>C9</i>	SS9306500SC0	M6*50	<i>E8</i>	SS4175080MZ0	M2.5*8

No.	Part No.	Remark	No.	Part No.	Remark
E	Pan Head Screw				
E9	SS4175130MZ0	M2.5*13			
E10	SS4175130SD0	M2.5*13			
E11	SS4103030MZ0	M3*3			
E12	SS4103030SD0	M3*3	F	Countersunk Head Screw	
E13	SS4103040CD0	M3*4	F1	SMA55005A0CN	9/64*40*10
E14	SS4103040MZ0	M3*4	F2	SMB7000680CN	11/64*40*8
E15	SS4103040SD0	M3*4	F3	SS1102060SD0	M2*6
E16	SS4103050MZ0	M3*5	F4	SS1103040MZ0	M3*4
E17	SS4103050SD0	M3*5	F5	SS1103040SD0	M3*4
E18	SS4103060MZ0	M3*6	F6	SS1103050SD0	M3*5
E19	SS4103060SA0	M3*6	F7	SS1003060SD0	M3*6
E20	SS4103060SD0	M3*6	F8	SS1103060MZ0	M3*6
E21	SS4103080MZ0	M3*8	F9	SS1103060SD0	M3*6
E22	SS4103080SA0	M3*8	F10	SS1103070SD0	M3*7
E23	SS4103080SD0	M3*8	F11	SS1003080SD0	M3*8
E24	SS4103100SC1	M3*10	F12	SS1103080MZ0	M3*8
E25	SS4103100SD0	M3*10	F13	SS1103080SC0	M3*8
E26	SS4103110SC1	M3*11	F14	SS1103080SD0	M3*8
E27	SS4103120MZ0	M3*12	F15	SS1103080SN0	M3*8
E28	SS4103120SD0	M3*12	F16	SS1103100SD0	M3*10
E29	SS4103140SA0	M3*14	F17	SS1103120MZ0	M3*12
E30	SS4103140SD0	M3*14	F18	SS1103120SD0	M3*12
E31	SS4103150SD0	M3*15	F19	SS1103150MZ0	M3*15
E32	SS4103400SD1	M3*40	F20	SS1103160SD0	M3*16
E33	SS4103500SD1	M3*50	F21	SS1104050SD0	M4*5
E34	SS4104040SD0	M4*4	F22	SS1104060SD0	M4*6
E35	SS4104050SD0	M4*5	F23	SS1104080MZ0	M4*8
E36	SS4104060MZ0	M4*6	F24	SS1104080SD0	M4*8
E37	SS4104060SD0	M4*6	F25	SS1104100MZ0	M4*10
E38	SS4104080SD0	M4*8	F26	SS1104100SD0	M4*10
E39	SS4104100SD0	M4*10	F27	SS1104120SD0	M4*12
E40	SS4104120SD0	M4*12	F28	SS1104140SD0	M4*14
E41	SS4104150SD0	M4*15	F29	SS1104150SD0	M4*15
E42	SS4104180SD0	M4*18	F30	SS1104200SD0	M4*20
E43	SS4104300SD0	M4*30	F31	SS1104220SD0	M4*22
E44	SS4104500SD0	M4*50	F32	SS1104250SD0	M4*25
E45	SS4104600SD1	M4*60	F33	SS1105060SD0	M5*6
E46	SS4105060SD0	M5*6	F34	SS1105080SD0	M5*8
E47	SS4105070SD0	M5*7	F35	SS1105100SD0	M5*10
E48	SS4105080SD0	M5*8	F36	SS1105120SD0	M5*12
E49	SS4105100MZ0	M5*10	F37	SS1105150SD0	M5*15
E50	SS4105100SD0	M5*10	F38	SS1105300SD0	M5*30
E51	SS4105120SD0	M5*12	F39	SS1105350SD0	M5*35
E52	SS4105300SD1	M5*12	F40	SS1106150SC0	M6*15
E53	SS4105150SD0	M5*15	F41	SS1106150SD0	M6*15
E54	SS4105450SD1	M5*45	F42	SS1106350SD0	M6*35
E55	SS4105500SD1	M5*50	F43	SS1108120SD0	M8*12
E56	SS4105600SD1	M5*60	F44	SS1108700TN0	M8*70

G.H.J.K

No.	Part No.	Remark	No.	Part No.	Remark
G	Round Countersunk Head Screw		H36	SS0105050SD0	M5*5
G1	SMC5000460CL	1/8*44*6	H37	SS0105060SD0	M5*6
G2	SMC5000530CL	9/64*40*3	H38	SS0105065SD0	M5*6.5
G3	SMC5000535CL	9/64*40*3.5	H39	SS0105070SD0	M5*7
G4	SMC5000540CL	9/64*40*4	H40	SS0105080SD0	M5*8
G5	SMC5000560CL	9/64*40*6	H41	SS0105100CB0	M5*10
G6	SMC5000570CL	9/64*40*7	H42	SS0105100SD0	M5*10
G7	SMC5000595CL	9/64*40*9.5	H43	SS0105120SD0	M5*12
G8	SMC50005C0CL	9/64*40*12	H44	SS0105150SD0	M5*15
			H45	SS0105200SD0	M5*20
			H46	SS0105250SD0	M5*25
			H47	SS0106080SD0	M6*8
			H48	SS0106100SD0	M6*10
			H49	SS0106220SD0	M6*22
H	Truss Head Screw		H50	SS0106250SD0	M6*25
H1	SMF6016470CL	1/8*44*7	H51	SS0106350SD0	M6*35
H2	SMF8020530CL	9/64*40*3.5	H52	SS0106400SD0	M6*40
H3	SMF8020540CL	9/64*40*4			
H4	SME9510540CM	9/64*40*4			
H5	SMF8020560CL	9/64*40*6			
H6	SMF8020580CL	9/64*40*8			
H7	SS0175030MZ0	M2.5*3			
H8	SS0175030SD0	M2.5*3	J	Round Head Screw	
H9	SS0175040MZ0	M2.5*4	J1	SS3102030MZ0	M2*3
H10	SS0175040SA0	M2.5*4	J2	SS3103080SD0	M3*8
H11	SS0175040SD0	M2.5*4	J3	SS3103080SE0	M3*8
H12	SS0103030MZ0	M3*3	J4	SS3103100MZ0	M3*10
H13	SS0103030SD0	M3*3			
H14	SS0103040SD0	M3*4			
H15	SS0103050MZ0	M3*5			
H16	SS0103050SD0	M3*5			
H17	SS0103060MZ0	M3*6			
H18	SS0103060SD0	M3*6	K	Slotted Set Screw	
H19	SS0103060SA0	M3*6	K1	SMK0000435CN	1/8*44*3.5
H20	SS0103080SD0	M3*8	K2	SMK0000560CN	9/64*40*6
H21	SS0103080SA0	M3*8	K3	SMK0000625CN	11/64*40*2.5
H22	SS0103100MZ0	M3*10	K4	SMK0000635CN	11/64*40*3.5
H23	SS0103100SD0	M3*10	K5	SMK0000640CN	11/64*40*4
H24	SS0103200SD0	M3*20	K6	SMK0000650CN	11/64*40*5
H25	SS0104050SD0	M4*5	K7	SMK0000A50CN	15/64*28*5
H26	SS0104060MZ0	M4*6	K8	SMK0000AA0CN	15/64*28*10
H27	SS0104060SD0	M4*6	K9	SMK0000AF0CN	15/64*28*15
H28	SS0104080MZ0	M4*8	K10	SMK0000AH0CN	15/64*28*17
H29	SS0104080SD0	M4*8	K11	SMK0000B40CN	1/4*40*4
H30	SS0104080SD2	M4*8	K12	SMK0000B45CN	1/4*40*4.5
H31	SS0104100MZ0	M4*10	K13	SMK0000B50CN	1/4*40*5
H32	SS0104100SD0	M4*10	K14	SMK0000B60CN	1/4*40*6
H33	SS0104120SD0	M4*12	K15	SMK0000B80CN	1/4*40*8
H34	SS0104150SD0	M4*15	K16	SMK0000CC0CN	9/32*28*12
H35	SS0104200SD0	M4*20	K17	SS8005060TN0	M5*6

No.	Part No.	Remark	No.	Part No.	Remark
L	Hexagon Socket Head Set Screw				
L1	SMJ0000425CN	1/8*44*2.5			
L2	SMJ0000690CN	11/64*28*9	N	Screw with Washer	
L3	SMJ0000640CN	11/64*40*4	N1	SSA003080000	M3*8
L4	SMJ0000660CN	11/64*40*6	N2	SSA003150000	M3*15
L5	SMJ0000680CN	11/64*40*8	N3	SSA003160000	M3*16
L6	SMJ0000A40CN	15/64*28*4	N4	SSA003180000	M3*18
L7	SMJ0000A90CN	15/64*28*9	N5	SSA004080000	M4*8
L8	SS8203020TN0	M3*2	N6	SSA004100000	M4*10
L9	SS8203030TN0	M3*3	N7	SSA004550000	M4*55
L10	SS8203040TN0	M3*4	N8	SSA005100000	M5*10
L11	SS8203050TN0	M3*5	N9	SSA005120000	M5*12
L12	SS8203060TN0	M3*6	N10	SSA005140000	M5*14
L13	SS8203080TN0	M3*8	N11	SSA005180000	M5*18
L14	SS8204030TN0	M4*3			
L15	SS8204040TN0	M4*4			
L16	SS8204050TN0	M4*5			
L17	SS8204060TN0	M4*6			
L18	SS8204060TN1	M4*6			
L19	SS8204080TN0	M4*8	P	Nut	
L20	SS8204100TN0	M4*10	P1	SMN046030CN0	1/8*44*6*3
L21	SS8204120TN0	M4*12	P2	SMN056020CL0	9/64*40*6*2
L22	SS8205040TN0	M5*4	P3	SMN056030CN0	9/64*40*6*3
L23	SS8205050TN0	M5*5	P4	SMN066020CN0	11/64*40*6*2
L24	SS8205060TN0	M5*6	P5	SMN066030CN0	11/64*40*6*3
L25	SS8205080TN0	M5*8	P6	SMN067030CN0	11/64*40*7*3
L26	SS8205100TN0	M5*10	P7	SMN167030CN0	11/64*40*7*3
L27	SS8205120TN0	M5*12	P8	SSN002SD0000	M2 Type 1
L28	SS8205150TN0	M5*15	P9	SSN073SD0000	M2.3 Type 1
L29	SS8206050TN0	M6*5	P10	SSN075MZ0000	M2.5 Type 1
L30	SS8206060TN0	M6*6	P11	SSN003MZ0000	M3 Type 1
L31	SS8206080TN0	M6*8	P12	SSN003SC0000	M3 Type 1
L32	SS8206100TN0	M6*10	P13	SSN003SD0000	M3 Type 1
L33	SS8206180TN0	M6*18	P14	SSN403SD0000	M3 Thumbscrew Type 2
L34	SS8208080TN0	M8*8	P15	SSN203SC0000	M3 Type 3
L35	SS8208100TN0	M8*10	P16	SSN203SD0000	M3 Type 3
L36	SS8208150TN0	M8*15	P17	SSN285SC0000	M3.5 Type 3
			P18	SSN004SC0000	M4 Type 1
			P19	SSN004SD0000	M4 Type 1
			P20	SSN204SC0000	M4 Type 3
			P21	SSN204SD0000	M4 Type 3
			P22	SSN005SC0000	M5 Type 1
M	Hexagon Socket Head Button Screw		P23	SSN005SD0000	M5 Type 1
M1	SS3203050SC0	M3*5	P24	SSN205SC0000	M5 Type 3
M2	SS3204060SC0	M4*6	P25	SSN205SD0000	M5 Type 3
M3	SS3205100SC0	M5*10	P26	SSN605SD0000	M5 Cap Screw
M4	SS3205100SD0	M5*10	P27	SSN006SC0000	M6 Type 1
			P28	SSN006SC1000	M6 Type 1(Left)
			P29	SSN006SD0000	M6 Type 1
			P30	SSN006SD1000	M6 Type 1(Left)

P.R

No.	Part No.	Remark	No.	Part No.	Remark
P	Nut		R32	WSP12L520SC0	Plain M12*20.5*2t
P31	SSN206SC0000	M6 Type 3	R33	WSS020000KD0	Spring M2
P32	SSN008SC0000	M8 Type 1	R34	WSS760000KC0	Spring M2.6
P33	SSN008SD0000	M8 Type 1	R35	WSS030000KC0	Spring M3
P34	SSN208SC0000	M8 Type 3	R36	WSS030000KD0	Spring M3
P35	SSN208SD0000	M8 Type 3	R37	WSS850000KC0	Spring M3.5
P36	SSN010SC0000	M10 Type 1	R38	WSS040000KC0	Spring M4
P37	SSN710CD0000	M10 with Flange	R39	WSS040000KD0	Spring M4
P38	SSN710SC0000	M10 with Flange	R40	WSS050000KC0	Spring M5
P39	SSN012SC0000	M12 Type 1	R41	WSS050000KD0	Spring M5
P40	SSN212SC0000	M12 Type 3	R42	WSS060000KC0	Spring M6
P41	SSN216SC0000	M16 Type 3	R43	WSS060000KD0	Spring M6
P42	SSN020SC0000	M20 Type 1	R44	WSS080000KC0	Spring M8
			R45	WSS080000KD0	Spring M8
			R46	WSS100000KC0	Spring M10
			R47	WSS120000KC0	Spring M12
			R48	WSW06B003TP0	Wave M4
			R49	WSW06A503TN0	Wave M6
R	Washer		R50	WSL048505TP0	With teeth M4
R1	WSP640303MZ0	Plain M1.4*3*0.3t	R51	WSL05A006TP0	With teeth M5
R2	WSP023505XZ0	Plain M2*3.5*0.5t	R52	WSN080000SC0	Slant M8
R3	WSP767505XB0	Plain M2.6*7.5*0.5t	R53	WSC048005SC0	Disk Spring M4
R4	WSP036003XZ0	Plain M3*6*0.3t			
R5	WSP036005SC0	Plain M3*6*0.5t			
R6	WSP037005SD0	Plain M3*7*0.5t			
R7	WSP038003SD0	Plain M3*8*0.3t			
R8	WSP038005MZ0	Plain M3*8*0.5t			
R9	WSP038005SC0	Plain M3*8*0.5t			
R10	WSP038005SD0	Plain M3*8*0.5t			
R11	WSP038100SD0	Plain M3*8*1t			
R12	WSP048005SC0	Plain M4*8*0.5t			
R13	WSP048005SD0	Plain M4*8*0.5t			
R14	WSP048008SC0	Plain M4*8*0.8t			
R15	WSP048008SD0	Plain M4*8*0.8t			
R16	WSP04A008SC0	Plain M4*10*0.8t			
R17	WSP04A008SD0	Plain M4*10*0.8t			
R18	WSP04C010SC0	Plain M4*12*1t			
R19	WSP05A008SC0	Plain M5*10*0.8t			
R20	WSP05A008SD0	Plain M5*10*0.8t			
R21	WSP05C008SC0	Plain M5*12*0.8t			
R22	WSP05C008SD0	Plain M5*12*0.8t			
R23	WSP06D010SC0	Plain M6*13*1.0t			
R24	WSP06D010SD0	Plain M6*13*1.0t			
R25	WSP06G010SC0	Plain M6*16*1.0t			
R26	WSP08G012SD0	Plain M8*16*1.2t			
R27	WSP08J016SC0	Plain M8*18*1.6t			
R28	WSP08J016SD0	Plain M8*18*1.6t			
R29	WSP08J032SC0	Plain M8*18*3.2t			
R30	WSP08N032SC0	Plain M8*22*3.2t			
R31	WSP10S032SC0	Plain M10*26*3.2t			